



2CDX(L)



Twin impeller centrifugal pumps with hydraulic made in AISI 304 and AISI 316 stainless steel

2CDX(L)

Version in AISI 304 - Single phase 230V										2 Poles			
Model	Code	HP	kW	Q=Flow rate						Abs. Curr. [A] 230V	DNA	DNM	Weight [kg]
				l/min m³/h	20 1,2	40 2,4	60 3,6	80 4,8	120 7,2				
H=Total head [m]													
2CDXM/A 70/10	1611100000	1	0,75	38,5	35,3	31,5	27,0	-	-	6	G1¼	G1	12,7
2CDXM/A 70/12	1611120000	1,2	0,9	44,5	40,3	35,5	30,0	-	-	7	G1¼	G1	13,3
2CDXM/C 70/15	1611150000C	1,5	1,1	52,5	48,0	42,8	36,5	-	-	8,1	G1¼	G1	17,5
2CDXM/B 70/20	1611200000B	2	1,5	60,0	55,6	50,4	44,0	-	-	10	G1¼	G1	18,5
2CDXM/C 120/15	1621150000C	1,5	1,1	-	42,0	41,0	39,5	35,0	30,0	8,3	G1¼	G1	16,3
2CDXM/B 120/20	1621200000B	2	1,5	-	51,5	49,5	47,4	41,8	36,5	10,2	G1¼	G1	17,0

Liquid temperature up to 60°C for standard range
 "SCA" version with drain plug available with a 5% increase on the price list.

Version in AISI 304 - Three phase 230/400V										2 Poles						
Model	Code	HP	kW	Q=Flow rate								Abs. Curr. [A]		DNA	DNM	Weight [kg]
				l/min m³/h	40 2,4	60 3,6	80 4,8	120 7,2	150 9	180 10,8	210 12,6	230V	400V			
H=Total head [m]																
2CDX/I 70/10	1611100004I	1	0,75	35,3	31,5	27,0	-	-	-	-	3,4	2	G1¼	G1	12,6	
2CDX/I 70/12	1611120004I	1,2	0,9	40,3	35,5	30,0	-	-	-	-	4,3	2,5	G1¼	G1	13,7	
2CDX/I 70/15	1611150004I	1,5	1,1	48,0	42,8	36,5	-	-	-	-	5,8	3,3	G1¼	G1	17,0	
2CDX/I 70/20	1611200004I	2	1,5	55,6	50,4	44,0	-	-	-	-	7,8	4,5	G1¼	G1	20,1	
2CDX/I 120/15	1621150004I	1,5	1,1	42,0	41,0	39,5	35,0	30,0	-	-	5,8	3,3	G1¼	G1	15,6	
2CDX/I 120/20	1621200004I	2	1,5	51,5	49,5	47,4	41,8	36,5	-	-	7,8	4,5	G1¼	G1	18,3	
2CDX/I 120/30	1989300004I	3	2,2	59,0	57,0	54,6	49,2	44,0	-	-	8,2	4,7	G1¼	G1	26,1	
2CDX/I 120/40	1989400004I	4	3	68,5	66,5	64,0	58,0	52,0	-	-	11,1	6,4	G1¼	G1	27,8	
2CDX/I 200/30	1999300004I	3	2,2	-	52,0	50,8	48,1	45,5	42,7	39,5	11,1	6,4	G1½	G1	26,6	
2CDX/I 200/40	1999400004I	4	3	-	62,5	61,1	58,0	55,2	52,3	49,0	11,2	6,5	G1½	G1	27,6	
2CDX/I 200/50	1999500004I	5	3,7	-	71,5	70,1	67,0	64,3	61,2	57,5	15,1	8,7	G1½	G1	35,6	

Liquid temperature up to 60°C for standard range
 "SCA" version with drain plug available with a 5% increase on the price list.

L version in AISI 316 - Three phase 230/400V										2 Poles						
Model	Code	HP	kW	Q=Flow rate								Abs. Curr. [A]		DNA	DNM	Weight [kg]
				l/min m³/h	40 2,4	60 3,6	80 4,8	120 7,2	150 9	180 10,8	210 12,6	230V	400V			
H=Total head [m]																
2CDXL/I 70/10	1611108004I	1	0,75	35,3	31,5	27,0	-	-	-	-	3,4	2	G1¼	G1	12,6	
2CDXL/I 70/12	1611128004I	1,2	0,9	40,3	35,5	30,0	-	-	-	-	4,3	2,5	G1¼	G1	13,7	
2CDXL/I 70/15	1611158004I	1,5	1,1	48,0	42,8	36,5	-	-	-	-	5,8	3,3	G1¼	G1	17,0	
2CDXL/I 70/20	1611208004I	2	1,5	55,6	50,4	44,0	-	-	-	-	7,8	4,5	G1¼	G1	20,1	
2CDXL/I 120/15	1621158004I	1,5	1,1	42,0	41,0	39,5	35,0	30,0	-	-	5,8	3,3	G1¼	G1	15,6	
2CDXL/I 120/20	1621208004I	2	1,5	51,5	49,5	47,4	41,8	36,5	-	-	7,8	4,5	G1¼	G1	18,3	
2CDXL/I 120/30	1989308004I	3	2,2	59,0	57,0	54,6	49,2	44,0	-	-	8,2	4,7	G1¼	G1	26,1	
2CDXL/I 120/40	1989408004I	4	3	68,5	66,5	64,0	58,0	52,0	-	-	11,1	6,4	G1¼	G1	27,8	
2CDXL/I 200/30	1999308004I	3	2,2	-	52,0	50,8	48,1	45,5	42,7	39,5	11,1	6,4	G1½	G1	26,6	
2CDXL/I 200/40	1999408004I	4	3	-	62,5	61,1	58,0	55,2	52,3	49,0	11,2	6,5	G1½	G1	27,6	
2CDXL/I 200/50	1999508004I	5	3,7	-	71,5	70,1	67,0	64,3	61,2	57,5	15,1	8,7	G1½	G1	35,6	

Liquid temperature up to 60°C for standard range
 "SCA" version with drain plug available with a 5% increase on the price list.
 AISI 316 single phase version available: please contact our sales network.

2CDX(L)



Twin impeller centrifugal pumps with hydraulic made in AISI 304 and AISI 316 stainless steel

Single and twin impeller centrifugal pumps with AISI 304 or AISI 316 stainless steel hydraulic parts particularly suitable for domestic water boosting, small-scale garden watering, washing, water treatment, cooling towers and handling clean water in general.



Small dimensions



Sturdy hydraulic frame



Available in AISI 316 stainless steel

Materials

Pump body	AISI 304 stainless steel (2CDX) or AISI 316 stainless steel (2CDXL)
Impeller	AISI 304 stainless steel (2CDX) or AISI 316 stainless steel (2CDXL)
Shaft	AISI 304 stainless steel (2CDX) or AISI 316 stainless steel (2CDXL)
Mechanical seal	Ceramic/Carbon/NBR (standard)
Motor support	Aluminium (up to 1,5 kW included), cast iron (2,2 kW and above)

Options



Mechanical seal

Page 391 - H, HS, HW, HSW, E, Q1AEGG, VAEGG, U3U3EGG, Q1U3EGG, U3CEGG

Technical data

Max. working pressure	8 bar
Max. temperature of the liquid	-5°C ÷ +60°C for 2CDX(L), E, Q1AEGG, VAEGG, U3U3EGG, Q1U3EGG, U3CEGG -5°C ÷ +110°C for H, HS, HW, HSW
Poles	2
Insulation class	F
Protection degree	IP55
Voltage	Single phase 230V ±10% Three phase 230/400V ±10%

Accessories



Tanks

Page 384 - 8/10 bar 5/10 litres tanks



Floats

Page 379 - Key floats with counterweight



Pressure switches

Page 379 - 1,3÷12 bar pressure switches



Control panels and Control systems

Page 366 - **Presscomfort**

Pressure regulator

Page 364 - **E-power**

Variable speed control systems

Page 362 - **E-drive**

Variable speed control systems

Page 307 - **Control panels**

1EP-E - QA50/B - SMART



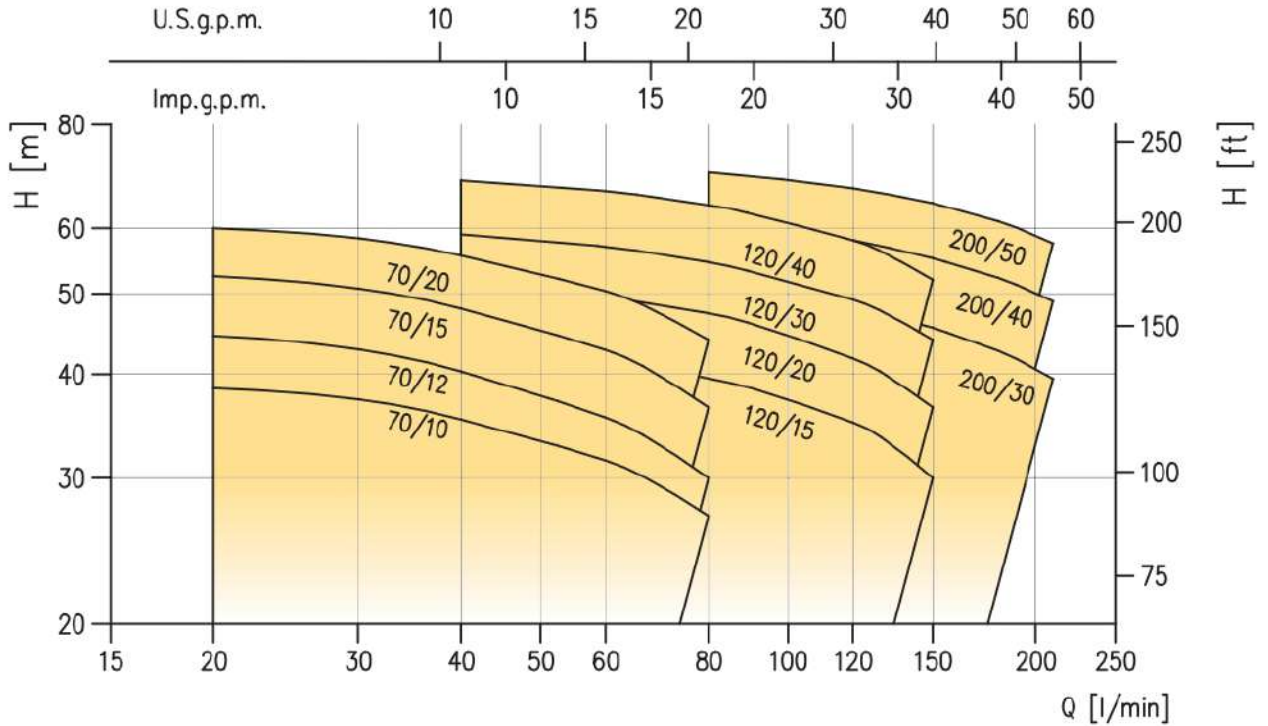
Insulation casing

Page 380 - Insulation casing for CDX(L)/2CDX(L)

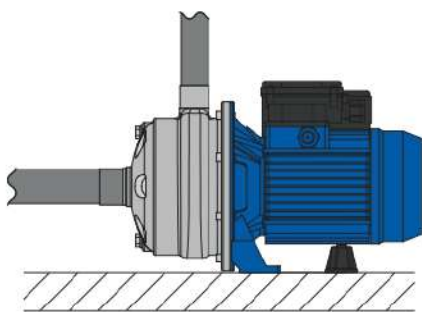
2CDX(L)



Twin impeller centrifugal pumps with hydraulic made in AISI 304 and AISI 316 stainless steel



Installation



2CDX(L) centrifugal pumps, thanks to their reduced dimensions, result easy to install also in that situations where space are small or difficult to reach.

Its sturdy and reliable construction, combine with a stainless steel body, provide high performance in the critical applications, as a water distribution.

Insulation casing



Thermal insulation is available as accessory. Ready to be used for chiller application, please see page 380