

CD



Single impeller centrifugal pumps completely made in AISI 304 stainless steel

Single impeller centrifugal pumps with AISI 304 stainless steel hydraulic parts particularly suitable for domestic water boosting, small-scale garden watering, washing, water treatment, cooling towers and handling clean water in general.



Small dimensions



Sturdy hydraulic frame

Materials

Pump body	AISI 304 stainless steel
Impeller	AISI 304 stainless steel
Shaft	AISI 303 stainless steel
Mechanical seal	Ceramic/Carbon/NBR (standard)
Motor support	AISI 304 stainless steel

Options



Mechanical seal

Page 391 - H, HS, HW, HSW, E, Q1AEGG, VAEGG, U3U3EGG, Q1U3EGG, U3CEGG

Technical data

Max. working pressure	8 bar
Max. temperature of the liquid	-5°C ÷ +60°C for CD 70/05-70/07-90/10 std and E versions -5°C ÷ +90°C -5°C ÷ +110°C for H, HS, HW, HSW versions -5°C ÷ +120°C for the rest of E version
MEI	> 0,4
Poles	2
Insulation class	F
Protection degree	IP55
Voltage	Single phase 230V ±10% Three phase 230/400V ±10%

Accessories



Tanks

Page 384 - 8/10 bar 5/10 litres tanks



Floats

Page 379 - Key floats with counterweight



Pressure switches

Page 379 - 1,3÷12 bar pressure switches



Control panels and Control systems

Page 366 - **Presscomfort**

Pressure regulator

Page 364 - **E-power**

Variable speed control systems

Page 362 - **E-drive**

Variable speed control systems

Page 367 - **Control panels**

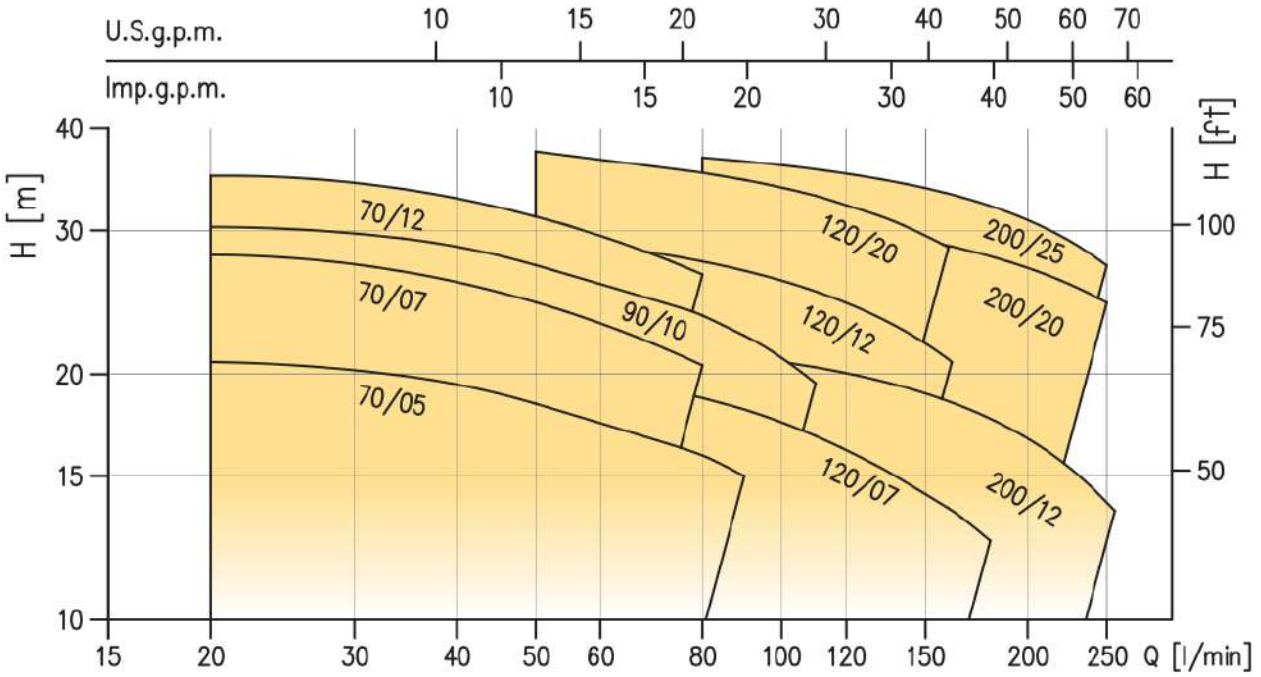
1EP-E - QA50/B - QA60/C - SMART

CD



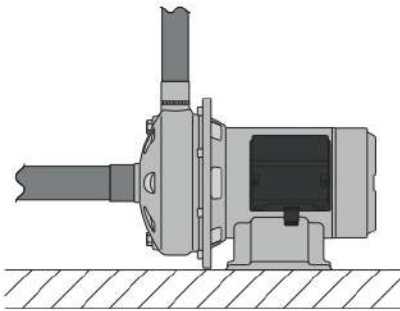
Single impeller centrifugal pumps completely made in AISI 304 stainless steel

CDX(L)



Installation

Completely in AISI 304



CD centrifugal pumps, thanks to their reduced dimensions, result easy to install also in that situations where space are small or difficult to reach. Its sturdy and reliable construction, combine with a stainless steel body, provide high performance in the critical applications, as a water distribution.



2 poles encased self-ventilated internally cooled asynchronous motor

CD



Single impeller centrifugal pumps completely made in AISI 304 stainless steel

Single phase 230V												2 Poles			
Model	Code	HP	kW	Q=Flow rate								Abs. Curr. [A] 230V	DNA	DNM	Weight [kg]
				l/min m ³ /h	20 1,2	50 3	90 5,4	130 7,8	160 9,6	210 12,6	250 15				
H=Total head [m]															
CDM 70/05	1970050000	0,5	0,37	20,7	18,4	15,0	-	-	-	-	-	3,4	G1¼	G1	8,7
CDM 70/07	1970090000	0,8	0,55	28,0	24,5	-	-	-	-	-	-	5	G1¼	G1	10,0
CDM 70/12	1970100000	1,2	0,9	35,0	31,2	-	-	-	-	-	-	6,5	G1¼	G1	13,2
CDM 90/10	1970100500	1	0,75	30,3	27,2	22,3	-	-	-	-	-	5,6	G1¼	G1	11,5
CDM 120/07	1980090000	0,75	0,55	-	20,5	18,1	15,5	13,7	-	-	-	4,6	G1¼	G1	10,0
CDM/G 120/12	1980100000G	1,2	0,9	-	29,3	26,8	23,6	21,0	-	-	-	6,9	G1¼	G1	12,3
CDM 120/20	1980200000	2	1,5	-	37,5	34,6	31,4	28,6	-	-	-	9,3	G1¼	G1	15,3
CDM/G 200/12	1990100000G	1,2	0,9	-	-	21,0	19,7	18,5	16,0	14,0	-	6,3	G1½	G1	12,0
CDM/G 200/20	1990200000G	2	1,5	-	-	31,2	30,0	28,7	26,5	24,5	-	10,2	G1½	G1	15,8

Max. temperature of the liquid: 60° for CD 70/05, 70/07, 90/10, 90° for the rest of the standard range.

Three phase 230/400V												2 Poles				
Model	Code	HP	kW	Q=Flow rate								Abs. Curr. [A]		DNA	DNM	Weight [kg]
				l/min m ³ /h	20 1,2	50 3	90 5,4	130 7,8	160 9,6	210 12,6	250 15	230V	400V			
H=Total head [m]																
CD 70/05	1970050004	0,5	0,37	20,7	18,4	15,0	-	-	-	-	-	2,4	1,4	G1¼	G1	8,7
CD 70/07	1970090004	0,8	0,55	28,0	24,5	-	-	-	-	-	-	3,5	2	G1¼	G1	10,0
CD/I 70/12	1970100004I	1,2	0,9	35,0	31,2	-	-	-	-	-	-	4,3	2,5	G1¼	G1	13,7
CD/I 90/10	1970100504I	1	0,75	30,3	27,2	22,3	-	-	-	-	-	3,3	1,9	G1¼	G1	11,6
CD 120/07	1980090004	0,75	0,55	-	20,5	18,1	15,5	13,7	-	-	-	3,2	1,85	G1¼	G1	10,5
CD/I 120/12	1980100004I	1,2	0,9	-	29,3	26,8	23,6	21,0	-	-	-	4,3	2,5	G1¼	G1	12,9
CD/I 120/20	1980200004I	2	1,5	-	37,5	34,6	31,4	28,6	-	-	-	7,1	4,1	G1¼	G1	18,3
CD/I 200/12	1990100004I	1,2	0,9	-	-	21,0	19,7	18,5	16,0	14,0	-	4,3	2,5	G1½	G1	12,6
CD/I 200/20	1990200004I	2	1,5	-	-	31,2	30,0	28,7	26,5	24,5	-	7,1	4,1	G1½	G1	17,5
CD/I 200/25	1990250004I	2,5	1,85	-	-	36,5	34,7	33,3	30,0	27,2	-	8,2	4,7	G1½	G1	18,3

Max. temperature of the liquid: 60° for CD 70/05, 70/07, 90/10, 90° for the rest of the standard range.