

SDP series self-priming deep well pump

Applications and installation

The SDP pumps are regarded as one of the best pumps for deep well. In fact they consist of two pumps connected in series, one is ejector-pump and the other is centrifugal pump. The ejector pump is lowered in well and connected to the centrifugal pump body by two pipes. These pumps are suitable for pumping clean water and chemically non-aggressive fluids. They are extremely reliable, economical and simple to use widely applied in domestic applications and the automatic distribution of water from small and medium- sized surge tanks, forming an automatic booster systems to supply water. The most remarkable character is that they can be used to supply clean water from extremely deep well. To ensure adequate counter-pressure, it is always installed with a foot valve and a filter on the suction opening.

Pumps should be installed in a covered area, protected against the weather.

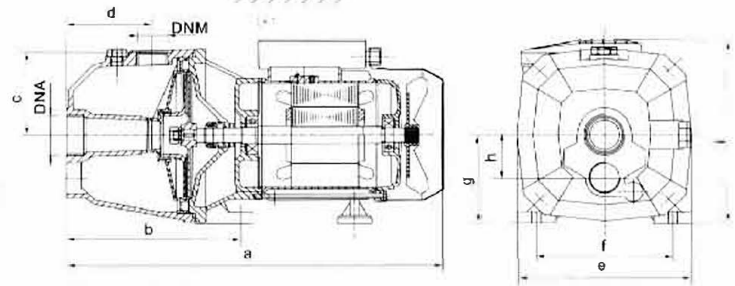
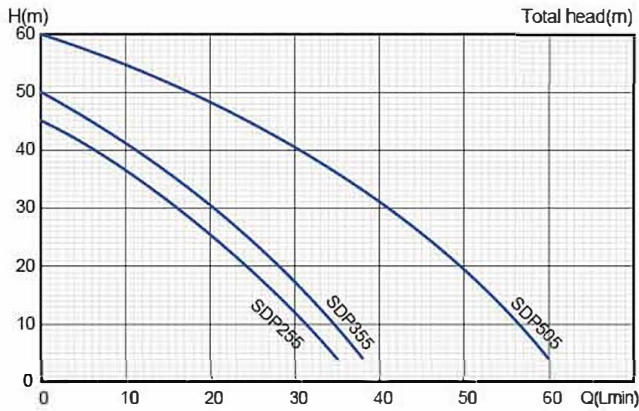
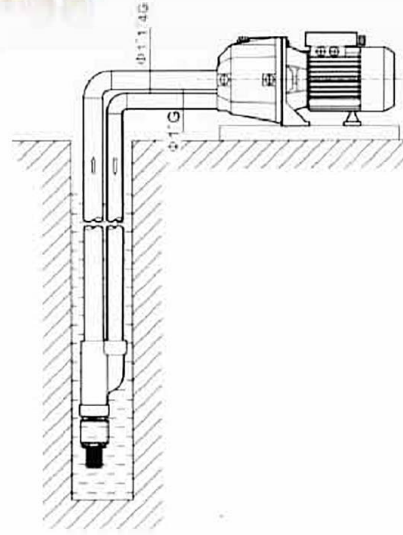


Construction features

- Pump Body: cast iron
- Motor Housing: aluminum
- Shaft: 45# steel/stainless steel
- Impeller: brass /PPO optional
- Motor: closed, externally ventilated
- Insulation Class: B/F
- Protection Class: IP44/IP54
- Duty: continuously rated
- Mechanical Seal: ceramic steatite/ metalized carbon

Operating limitations

- Max ambient temperature up to 40°C
- Max fluid temperature up to 80°C
- Max pressure up to 10 bar

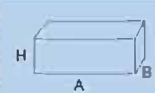


SDP

| Model | HP | KW | DNA/DNM | Suct.Max m | Q.Max L/min | H.Max m | Q. L/min | 0 | 10 | 20 | 30 | 35 | 38 | 50 | 55 | 60 | Weight Kg | |
|--------|------|------|----------|------------|-------------|---------|----------|----|----|----|----|----|----|----|----|----|-----------|----|
| SDP255 | 0.75 | 0.55 | 1.25"/1" | 15 | 35 | 45 | H(m) | 45 | 40 | 30 | 6 | 4 | | | | | 15 | |
| SDP355 | 1 | 0.75 | 1.25"/1" | 25 | 38 | 50 | | 50 | 42 | 33 | 12 | 8 | 4 | | | | | 16 |
| SDP505 | 1.5 | 1.1 | 1.25"/1" | 30 | 60 | 60 | | 60 | 54 | 50 | 46 | 42 | 38 | 33 | 12 | 4 | | 30 |

Overall and mounting dimension

| Model | Dimensions (mm) | | | | | | | | | | | Package Dimension | | |
|--------|-----------------|-----|-----|-----|-----|------|-----|-----|-----|----|-----|-------------------|-----|-----|
| | DNA | DNM | a | b | c | d | e | f | g | h | i | A | B | H |
| SDP255 | 1.25"/1" | 1" | 395 | 188 | 89 | 90 | 181 | 140 | 95 | 45 | 196 | 490 | 200 | 210 |
| SDP355 | 1.25"/1" | 1" | 395 | 188 | 89 | 90 | 181 | 140 | 95 | 45 | 196 | 490 | 200 | 210 |
| SDP505 | 1.25"/1" | 1" | 405 | 165 | 147 | 49.5 | 198 | 145 | 110 | 55 | 257 | 535 | 255 | 305 |



Peripheral Pumps
Centrifugal Pumps
Self-priming Jet Pumps
Auto-boosting Pumps