

ACm

Self-Priming Multistage Centrifugal Pumps

Application

- With self-priming function, the pump can be used to transfer clean water or other liquids similar to water in physical and chemical properties. It is suitable for industrial use and urban water supply, domestic water supply, high rise buildings, long distance water transfer and related auxiliary equipment etc.

Pump

- Cast iron pump body and support under special anti-rust treatment
- AISI 304 shaft
- Max. liquid temperature: +40°C
- Max. suction: +8 m

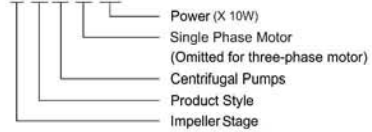
Motor

- C&U bearing
- Motor with copper winding
- Built-in thermal protector for single phase motor
- Insulation class: F
- Protection class: IPX4
- Max. ambient Temperature: +40°C



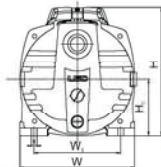
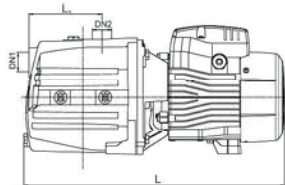
Identification Codes

3 A C m 47



Technical Data

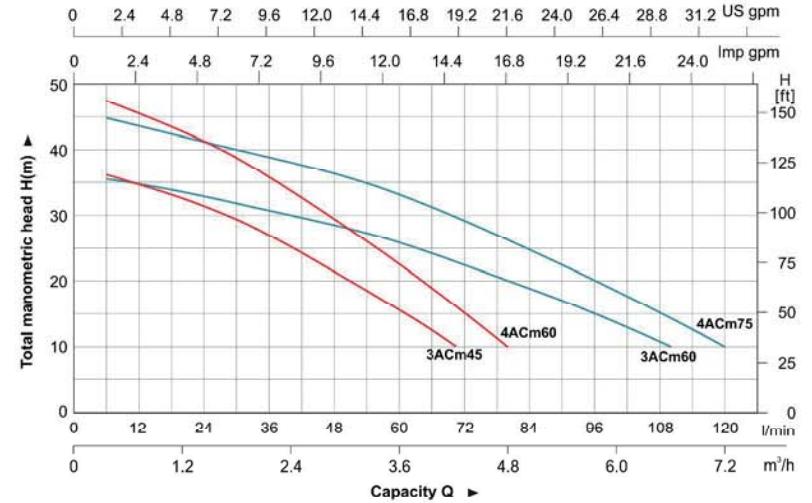
MODEL	POWER		Capacity Q																																																																																																															
	Single Phase	Three Phase	Q (m³/h)	0	0.3	0.6	0.9	1.2	1.5	1.8	2.4	3.0	3.6	4.2	4.8	5.4	6.0	6.6	7.2																																																																																															
3ACm45	3AC45	0.45	0.6	<table border="1"> <thead> <tr> <th rowspan="2">H (m)</th> <th>Q (l/min)</th> <th>0</th><th>5</th><th>10</th><th>15</th><th>20</th><th>25</th><th>30</th><th>40</th><th>50</th><th>60</th><th>70</th><th>80</th><th>90</th><th>100</th><th>110</th><th>120</th> </tr> </thead> <tbody> <tr> <td>38</td><td>36.5</td><td>35</td><td>34</td><td>32.5</td><td>31</td><td>29.5</td><td>25</td><td>20</td><td>15.5</td><td>10</td><td></td><td></td><td></td><td></td><td></td><td></td><td></td><td></td> </tr> <tr> <td>49</td><td>48</td><td>46.5</td><td>45</td><td>43</td><td>40.5</td><td>38.5</td><td>33.5</td><td>28</td><td>22.5</td><td>16</td><td>10</td><td></td><td></td><td></td><td></td><td></td><td></td><td></td> </tr> <tr> <td>36</td><td>35.5</td><td>35</td><td>34</td><td>33.5</td><td>32.5</td><td>32</td><td>30</td><td>28</td><td>26</td><td>23</td><td>20</td><td>17</td><td>13.5</td><td>10</td><td></td><td></td><td></td><td></td> </tr> <tr> <td>46</td><td>45</td><td>44</td><td>43</td><td>42</td><td>41</td><td>40</td><td>38</td><td>35.5</td><td>33</td><td>30</td><td>26.5</td><td>22.5</td><td>19</td><td>15</td><td>10</td><td></td><td></td><td></td><td></td> </tr> </tbody> </table>																H (m)	Q (l/min)	0	5	10	15	20	25	30	40	50	60	70	80	90	100	110	120	38	36.5	35	34	32.5	31	29.5	25	20	15.5	10									49	48	46.5	45	43	40.5	38.5	33.5	28	22.5	16	10								36	35.5	35	34	33.5	32.5	32	30	28	26	23	20	17	13.5	10					46	45	44	43	42	41	40	38	35.5	33	30	26.5	22.5	19	15	10				
H (m)	Q (l/min)	0	5																		10	15	20	25	30	40	50	60	70	80	90	100	110	120																																																																																
	38	36.5	35																	34	32.5	31	29.5	25	20	15.5	10																																																																																							
49	48	46.5	45																	43	40.5	38.5	33.5	28	22.5	16	10																																																																																							
36	35.5	35	34	33.5	32.5	32	30	28	26	23	20	17	13.5	10																																																																																																				
46	45	44	43	42	41	40	38	35.5	33	30	26.5	22.5	19	15	10																																																																																																			
4ACm60	4AC60	0.6	0.85																																																																																																															
3ACm60	3AC60	0.6	0.85																																																																																																															
4ACm75	4AC75	0.75	1																																																																																																															



Dimension

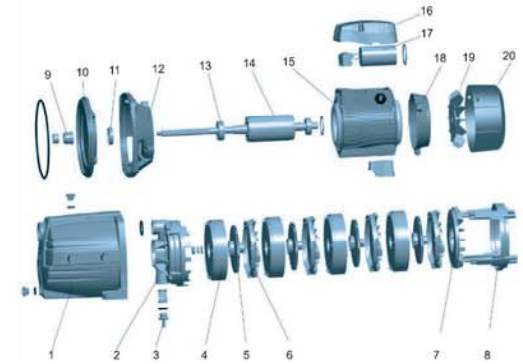
Model	DN1	DN2	L (mm)	W (mm)	H (mm)	L ₁ (mm)	W ₁ (mm)	H ₁ (mm)
3ACm45	1"	1"	368	180	183	90	136	90
4ACm60	1"	1"	405	180	183	115	136	90
3ACm60	1"	1"	485	180	202	90	136	90
4ACm75	1"	1"	510	180	202	115	136	90

Hydraulic Performance Curve



Materials Table

No.	Part	Material
1	Pump body	HT200
2	Pump cover	PPG
3	Return valve	PPG
4	Diffuser 1	PPG
5	Impeller	PPG
6	Diffuser 2	PPG
7	Diffuser holder	PPG
8	Support frame	PPG
9	Mechanical seal	Carbon/ceramic
10	Bracket cover	HT200
11	Oil seal	
12	Support	ZL102
13	Bearing	
14	Rotor	
15	Stator	
16	Capacitor box	ABS
17	Capacitor	
18	End plate	ZL102
19	Fan	PP
20	Fan cover	PP



Package Information

Model	GW (Kgs)	L (mm)	W (mm)	H (mm)	Quantity (PCS/20 TEU)
3ACm45	13.2	405	210	215	1490
4ACm60	16	440	210	215	1300
3ACm60	15.3	425	210	230	1290
4ACm75	17	460	210	230	1260