

Application

- It can be used to transfer clean water or other liquids similar to water in physical and chemical properties. It is suitable for industrial use and urban water supply, pressure boosting for high buildings and fire fighting, garden irrigation, long-distance water transfer, heating ventilation and air controlling, circulation and pressure boosting for cold and hot water, and supporting equipment etc.

Pump

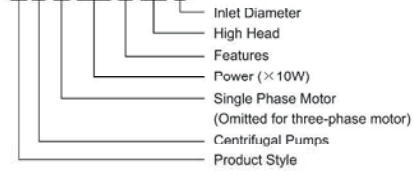
- Cast iron pump body and support under special anti-rust treatment
- AISI 304 shaft
- Max. liquid temperature: +60°C
- Max. suction: +8 m

Motor

- C&U bearing
- Motor with copper winding
- Insulation class: F
- Protection class: IPX4
- Max. ambient temperature: +40°C

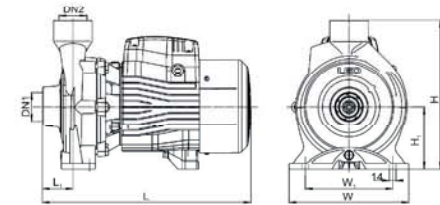
Identification Codes

ACm 220 C (H) 2



Technical Data

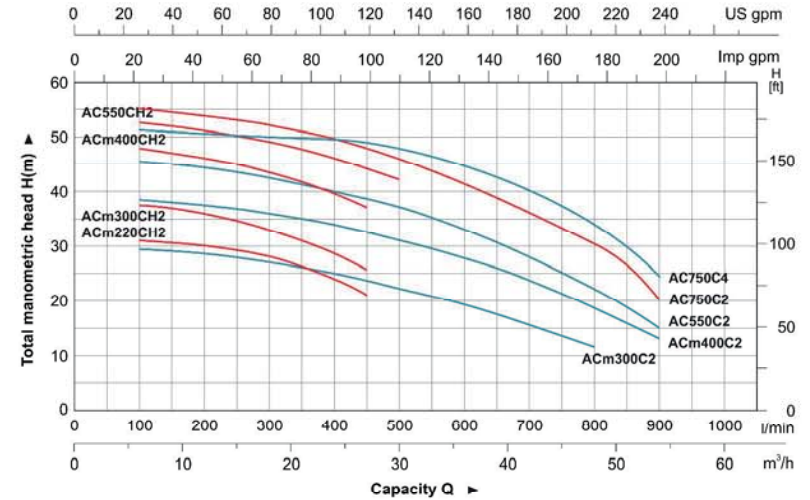
MODEL		POWER		Q (m³/h)												
Single Phase	Three Phase	kW	HP	0	6	9	12	15	18	24	27	30	36	42	48	54
ACm220CH2	AC220CH2	2.2	3	31	30	29.5	28.5	27.5	26	21.5	18.5					
ACm300CH2	AC300CH2	3	4	38	37.5	37	36	34.5	33	28.5	25.5					
ACm400CH2	AC400CH2	4	5.5	49	48	47	46	45	43.5	39.5	37					
---	AC550CH2	5.5	7.5	54	52.5	52	51	50	49	46	44	42				
ACm300C2	AC300C2	3	4	30	29.5	29	28.5	28	27	25	23.5	22	19.5	15.5	11.5	
ACm400C2	AC400C2	4	5	39	38.5	38	37.5	37	36	34	32.5	31	28	24	18.5	13
---	AC550C2	5.5	7.5	46.5	45.5	45	44.5	43.5	42.5	40	38.5	37	33	28	22	15
---	AC750C2	7.5	10	56.5	55	55	54.5	53.5	52.5	50	48.5	46.5	42	36.5	30.5	20
---	AC750C4	7.5	10	52.5	52	52	51.5	51	50.5	48	46.5	44.5	40	35.5	30.5	24



Dimension

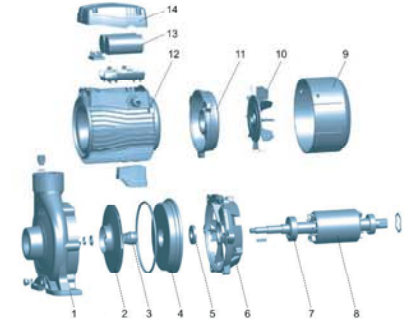
Model	DN1	DN2	L (mm)	W (mm)	H (mm)	L (mm)	W (mm)	H (mm)
ACm220CH2			444	255	315	65	186	132
ACm300CH2			444	255	315	65	186	132
ACm400CH2			496.5	280	326	70	195	136
AC550CH2	2"	2"	496.5	280	326	70	195	136
ACm300C2			444	255	315	65	186	132
ACm400C2			496.5	280	326	70	195	136
AC550C2			496.5	280	326	70	195	136
AC750C2			515	290	360	85	216	150
AC750C4	4"	3"	525	290	360	95	216	150

Hydraulic Performance Curve



Materials Table

No.	Part	Material
1	Pump body	HT200
2	Impeller	HPb59-1
3	Mechanical seal	Carbon/ceramic
4	Bracket cover	HT200
5	Oil seal	
6	Support	HT200
7	Bearing	
8	Nut	
9	Fan cover	PP
10	Fan	PP
11	End cover	ZL102
12	Stator	
13	Capacitor	
14	Capacitor box	ABS



Package Information

Model	GW (Kgs)	L (mm)	W (mm)	H (mm)	Quantity (PCS/20 LEU)
ACm220CH2	38.5	507	304	365	454
ACm300CH2	41.5	507	304	365	421
ACm400CH2	53.5	562	326	383	327
AC550CH2	56	562	326	383	312
ACm300C2	41	507	304	365	426
ACm400C2	56.5	562	326	383	309
AC550C2	54.5	562	326	383	320
AC750B2	61	587	338	417	286
AC750C4	62.5	587	338	417	279