

Application

- It can be used to transfer clean water or other liquids similar to water in physical and chemical properties.
- It is suitable for water supply and drainage in garden irrigation, greenhouses, fish breeding and poultry raising. The pump also can be used for domestic automatic water supply places, such as lifting water from a deep well, pressure boosting of running water, etc.

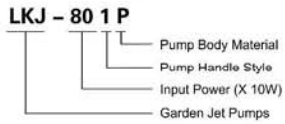
Pump

- Unique ergonomic design
- Max. fluid temperature: +35°C
- Max. suction: +8 m

Motor

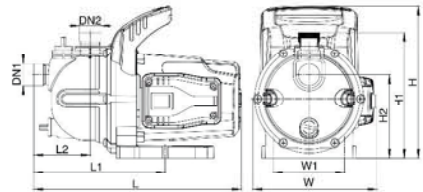
- C&U bearing
- Built-in thermal protector
- Aluminum winding
- Insulation class: F
- Protection class: IPX4
- Max. ambient temperature: +40°C

Identification Codes



Technical Data

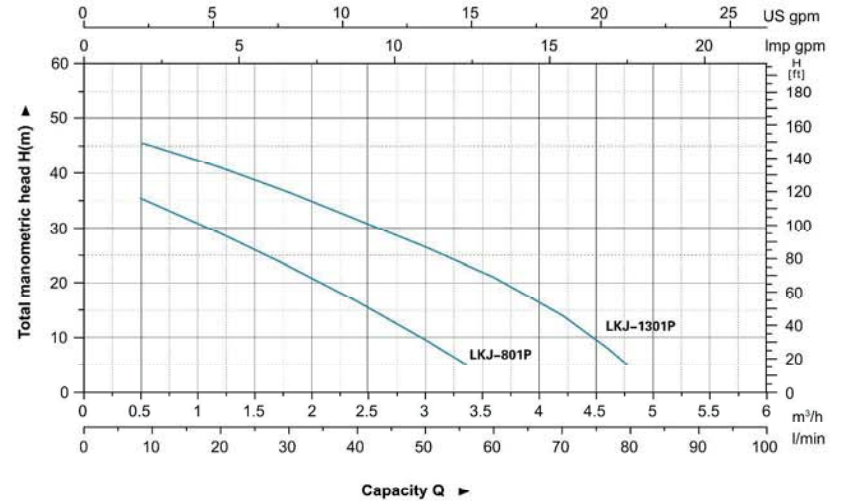
| MODEL     | POWER (P <sub>i</sub> ) |      | Q (m <sup>3</sup> /h) |      |     |      |      |      |     |     |     |     |   |  |
|-----------|-------------------------|------|-----------------------|------|-----|------|------|------|-----|-----|-----|-----|---|--|
|           | W                       | HP   | 0                     | 0.5  | 1.2 | 1.8  | 2.4  | 3    | 3.6 | 4.2 | 4.8 | 5.4 | 6 |  |
| LKJ-801P  | 800                     | 1    | H (m)                 |      |     |      |      |      |     |     |     |     |   |  |
| LKJ-1301P | 1300                    | 1.75 | 39                    | 34.5 | 29  | 23   | 16.5 | 9.5  | -   | -   | -   | -   | - |  |
|           |                         |      | 48                    | 45   | 41  | 36.5 | 31.5 | 26.5 | 21  | 14  | 8   | -   | - |  |



Dimension

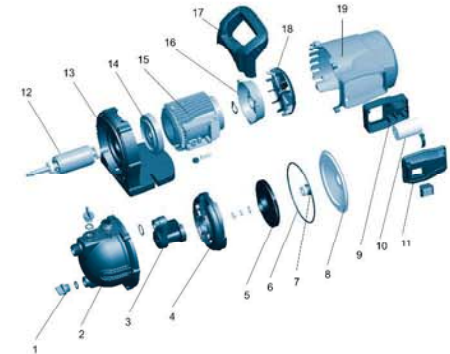
| Model     | DN1 | DN2 | L (mm) | W (mm) | H (mm) | L1 (mm) | L2 (mm) | W1 (mm) | H1 (mm) | H2 (mm) |
|-----------|-----|-----|--------|--------|--------|---------|---------|---------|---------|---------|
| LKJ-801P  | 1"  | 1"  | 350    | 210    | 255.5  | 221.5   | 94.5    | 120     | 211     | 140.5   |
| LKJ-1301P |     |     | 380.5  | 243.5  | 284    | 233.5   | 106.5   | 120     | 231.5   | 165     |

Hydraulic Performance Curve



Materials Table

| No. | Part            | Material       |
|-----|-----------------|----------------|
| 1   | Drain plug      | PP             |
| 2   | Pump body       | PP             |
| 3   | Injector        | PPO            |
| 4   | Diffuser        | PPO            |
| 5   | Impeller        | PPO            |
| 6   | O-ring          | NBR            |
| 7   | Mechanical seal | Carbon/ceramic |
| 8   | Bracket cover   | AISI 304       |
| 9   | Terminal board  | ABS            |
| 10  | Capacitor       |                |
| 11  | Switch cover    | ABS            |
| 12  | Rotor           |                |
| 13  | Motor flange    | PP             |
| 14  | Front plate     | ZL102          |
| 15  | Stator          |                |
| 16  | End plate       | ZL102          |
| 17  | Handle          | PP             |
| 18  | Fan             | PP             |
| 19  | Fan cover       | ABS            |



Package Information

| Model     | GW (KGs) | L (mm) | W (mm) | H (mm) | Quantity |         |          |
|-----------|----------|--------|--------|--------|----------|---------|----------|
|           |          |        |        |        | 20'/pcc  | 40'/pcc | 101'/pcc |
| LKJ-801P  | 7.5      | 375    | 230    | 280    | 1232     | 2512    | 2826     |
| LKJ-1301P | 10.2     | 395    | 260    | 305    | 868      | 1778    | 2032     |

### Application

- It can be used to transfer clean water or other liquids similar to water in physical and chemical properties.
- It is suitable for water supply and drainage in garden irrigation, greenhouses, fish breeding and poultry raising. The pump also can be used for domestic automatic water supply places, such as lifting water from a deep well, pressure boosting of running water, etc.

### Pump

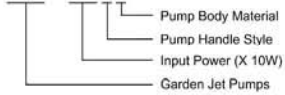
- Unique ergonomic design
- Max. fluid temperature: +35°C
- Max. suction: +8 m

### Motor

- C&U bearing
- Built-in thermal protector
- Aluminum winding
- Insulation class: F
- Protection class: IPX4
- Max. ambient temperature: +40°C

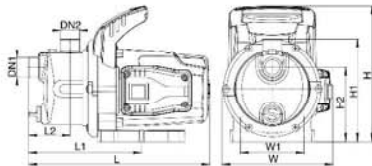
### Identification Codes

#### LKJ - 80 1 S



### Technical Data

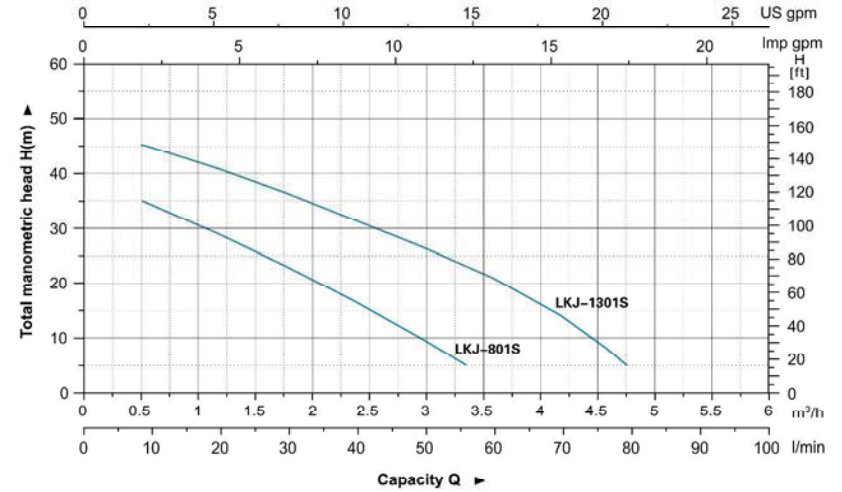
| MODEL     | POWER (P) |      | Q (m <sup>3</sup> /h) |    |      |     |      |      |      |     |     |     |     |   |
|-----------|-----------|------|-----------------------|----|------|-----|------|------|------|-----|-----|-----|-----|---|
|           | W         | HP   | Q (l/min)             | 0  | 0.6  | 1.2 | 1.8  | 2.4  | 3    | 3.6 | 4.2 | 4.8 | 5.4 | 6 |
| LKJ-801S  | 600       | 1    | H (m)                 | 39 | 34.5 | 29  | 23   | 16.5 | 9.5  | -   | -   | -   | -   | - |
| LKJ-1301S | 1300      | 1.75 | H (m)                 | 48 | 45   | 41  | 36.5 | 31.5 | 26.5 | 21  | 14  | 8   | -   | - |



### Dimension

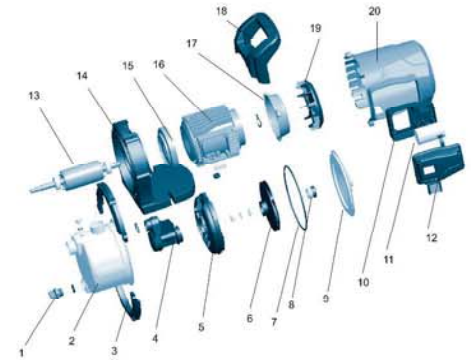
| Model     | DN1 | DN2 | L (mm) | W (mm) | H (mm) | L1 (mm) | L2 (mm) | W1 (mm) | H1 (mm) | H2 (mm) |
|-----------|-----|-----|--------|--------|--------|---------|---------|---------|---------|---------|
| LKJ-801S  | 1"  | 1"  | 342.5  | 210    | 255.5  | 213.5   | 78.5    | 120     | 193.5   | 140.5   |
| LKJ-1301S | 1"  | 1"  | 369.5  | 243.5  | 284    | 222.5   | 87.5    | 120     | 215     | 165     |

### Hydraulic Performance Curve



### Materials Table

| No. | Part            | Material       |
|-----|-----------------|----------------|
| 1   | Drain plug      | PP             |
| 2   | Pump body       | AlSi 304       |
| 3   | Holder          | PP             |
| 4   | Injector        | PPC            |
| 5   | Diffuser        | PPC            |
| 6   | Impeller        | PPC            |
| 7   | O-ring          | NBR            |
| 8   | Mechanical seal | Carbon/ceramic |
| 9   | Bracket cover   | AlSi 304       |
| 10  | Terminal board  | ABS            |
| 11  | Capacitor       |                |
| 12  | Switch cover    | ABS            |
| 13  | Rotor           |                |
| 14  | Motor flange    | PP             |
| 15  | Front plate     | ZL102          |
| 16  | Stator          |                |
| 17  | End plate       | ZL102          |
| 18  | Handle          | PP             |
| 19  | Fan             | PP             |
| 20  | Fan cover       | ABS            |



### Package Information

| Model     | GW (Kgs) | L (mm) | W (mm) | H (mm) | Quantity |         |          |
|-----------|----------|--------|--------|--------|----------|---------|----------|
|           |          |        |        |        | 20' pcs  | 40' pcs | 40H' pcs |
| LKJ-801S  | 7.7      | 375    | 230    | 280    | 1232     | 2512    | 2826     |
| LKJ-1301S | 10.6     | 395    | 260    | 305    | 868      | 1778    | 2032     |