

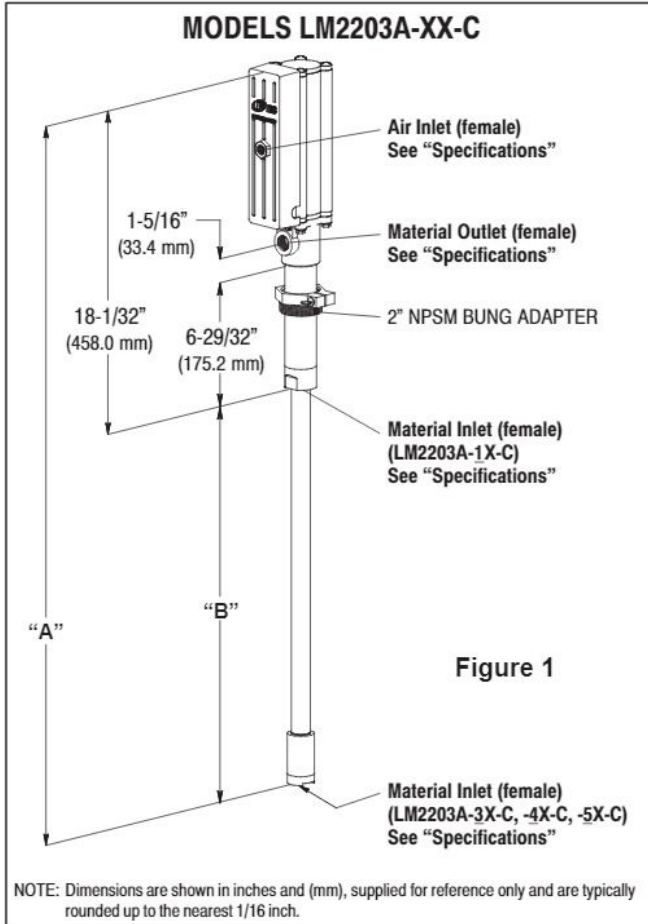
SALES & ENGINEERING DATA

RATIO SERIES:	3:1
FLUID P.S.I. RANGE:	0 - 450

LM2203A-()-C TWO - BALL PUMP

RELEASED: 12-28-04
REVISED:
(REV. 01) S-1355

DIMENSIONAL DATA



MODEL	"A" (mm)	"B" (mm)	WEIGHT (kg)
LM2203A-1X-C	N / A	N / A	11 (4.99)
LM2203A-3X-C	40-1/16" (1017.6)	22-1/32" (559.3)	13.5 (6.12)
LM2203A-4X-C	49-13/16" (1265.0)	31-25/32" (806.9)	14.4 (6.53)
LM2203A-5X-C	57-7/16" (1458.6)	39-13/32" (1000.6)	15 (6.80)

SPECIFICATIONS

CONSTRUCTION

Model Series	LM2203A-XX-C
Pump Type	Air Operated, Two-Ball, Double Acting Oil Pump
Ratio	3:1
Air Motor Diameter	2" (5.08 cm)
Stroke	3" (7.62 cm)
Air Inlet (female)	
LM2203A-X1-C	1/4 - 18 N.P.T.F.
LM2203A-X2-C	Rp 1/4 (1/4 - 19 BSP Parallel)
Material Inlet (female)	
LM2203A-X1-C	3/4 - 14 N.P.T.
LM2203A-X2-C	Rp 3/4 (3/4 - 14 BSP Parallel)
Material Outlet (female)	
LM2203A-X1-C	1/2 - 14 N.P.T.F. - 1
LM2203A-X2-C	Rp 1/2 (1/2 - 14 BSP Parallel)
Pump Rebuild Kit	637224

MATERIALS OF CONSTRUCTION

Outlet Body	Steel
Cylinder	Aluminum
Plunger	Steel
Upper Packing	Polyurethane
Lower Packing	Nitrile
Upper Ball	Steel
Upper Seat	Steel
Lower Ball	Steel
Lower Seat	Steel

PERFORMANCE

Air Inlet Pressure Range	0 - 150 p.s.i. (0 - 10.3 bar)
Fluid Pressure Range	0 - 450 p.s.i. (0 - 31.0 bar)
Maximum Working Flow Rate	6 g.p.m. (23 l.p.m.)
Displacement In ³ Per Cycle	6.2
Cycles Per Gallon (Liter)	37 (9.8)
Noise Level @ 100 p.s.i.	80 db(A) ^①

① The pump sound pressure level has been updated to an Equivalent Continuous Sound Level (L_{Aeq}) to meet the intent of ANSI S1. 13-1971, CAGI-PNEUROP S5.1 using four microphone locations.

ACCESSORIES:

61113 Wall Mount Bracket
66073-1 Air Line Connection Kit

airpumping.co.uk

est. 1979

Unit 16, Upminster Trading Park, Walerley St., Upminster, Essex, RM14 3PJ, ENGLAND

ARO®
Ingersoll Rand®

PERFORMANCE CURVES

