

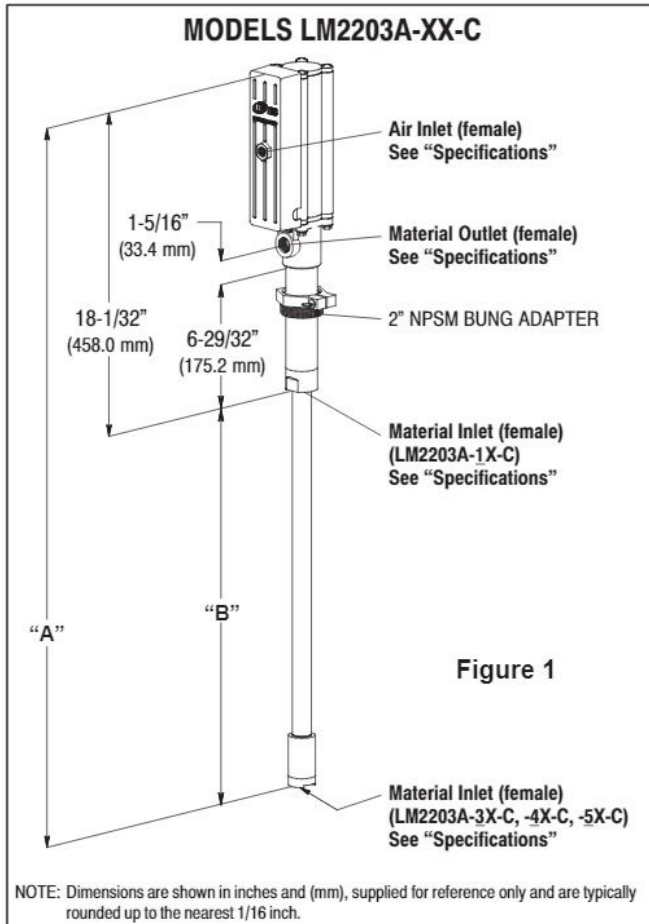
# SALES & ENGINEERING DATA

RATIO SERIES:	<b>3:1</b>
FLUID P.S.I. RANGE:	<b>0 - 450</b>

## LM2203A-( )-C TWO - BALL PUMP

RELEASED: 12-28-04  
REVISED:  
(REV. 01) S-1355

### DIMENSIONAL DATA



MODEL	"A" (mm)	"B" (mm)	WEIGHT (kg)
LM2203A-1X-C	N / A	N / A	11 (4.99)
LM2203A-3X-C	40-1/16" (1017.6)	22-1/32" (559.3)	13.5 (6.12)
LM2203A-4X-C	49-13/16" (1265.0)	31-25/32" (806.9)	14.4 (6.53)
LM2203A-5X-C	57-7/16" (1458.6)	39-13/32" (1000.6)	15 (6.80)

### SPECIFICATIONS

#### CONSTRUCTION

Model Series	LM2203A-XX-C
Pump Type	Air Operated, Two-Ball, Double Acting Oil Pump
Ratio	3:1
Air Motor Diameter	2" (5.08 cm)
Stroke	3" (7.62 cm)
Air Inlet (female)	
LM2203A-X1-C	1/4 - 18 N.P.T.F.
LM2203A-X2-C	Rp 1/4 (1/4 - 19 BSP Parallel)
Material Inlet (female)	
LM2203A-X1-C	3/4 - 14 N.P.T.
LM2203A-X2-C	Rp 3/4 (3/4 - 14 BSP Parallel)
Material Outlet (female)	
LM2203A-X1-C	1/2 - 14 N.P.T.F. - 1
LM2203A-X2-C	Rp 1/2 (1/2 - 14 BSP Parallel)
Pump Rebuild Kit	637224

#### MATERIALS OF CONSTRUCTION

Outlet Body	Steel
Cylinder	Aluminum
Plunger	Steel
Upper Packing	Polyurethane
Lower Packing	Nitrile
Upper Ball	Steel
Upper Seat	Steel
Lower Ball	Steel
Lower Seat	Steel

#### PERFORMANCE

Air Inlet Pressure Range	0 - 150 p.s.i. (0 - 10.3 bar)
Fluid Pressure Range	0 - 450 p.s.i. (0 - 31.0 bar)
Maximum Working Flow Rate	6 g.p.m. (23 l.p.m.)
Displacement In <sup>3</sup> Per Cycle	6.2
Cycles Per Gallon (Liter)	37 (9.8)
Noise Level @ 100 p.s.i.	80 db(A) <sup>①</sup>

① The pump sound pressure level has been updated to an Equivalent Continuous Sound Level (L<sub>Aeq</sub>) to meet the intent of ANSI S1. 13-1971, CAGI-PNEUROP S5.1 using four microphone locations.

#### ACCESSORIES:

61113 Wall Mount Bracket  
66073-1 Air Line Connection Kit

**airpumping.co.uk**

est. 1979

Unit 16, Upminster Trading Park, Weller St, Upminster, Essex, RM14 3PJ, ENGLAND

**ARO®**  
**Ingersoll Rand®**

# SALES & ENGINEERING DATA

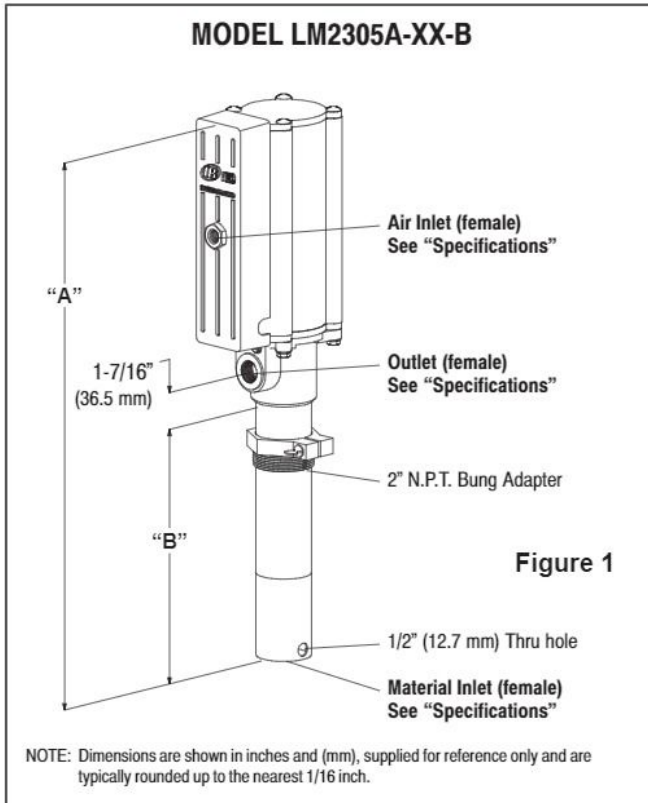


## LM2305A-( )-B TWO - BALL PUMP

RATIO SERIES:	<b>5:1</b>
FLUID P.S.I. RANGE:	<b>0 - 750</b>

RELEASED: 12-27-04  
REVISED: 11-9-11  
(REV. 02) S-1356

### DIMENSIONAL DATA



MODEL	"A" (mm)	"B" (mm)	WEIGHT (kg)
LM2305A-1X-B	21" (533.4)	9-3/4" (247.7)	15.75 (7.14)
LM2305A-3X-B	41-1/4" (1047.8)	30" (762)	24.3 (11.02)
LM2305A-4X-B	51" (1295.4)	39-3/4" (1009.7)	28.5 (12.93)
LM2305A-5X-B	58-5/8" (1489.1)	47-3/8" (1203.3)	31.7 (14.38)

### SPECIFICATIONS

#### CONSTRUCTION

Model Series	LM2305A-XX-B
Pump Type	Air Operated, Two-Ball, Double Acting Oil Pump
Ratio	5:1
Air Motor Diameter	3" (7.62 cm)
Stroke	3" (7.62 cm)
Air Inlet (female)	
LM2305A-X1-B	1/4 - 18 N.P.T.F. - 1
LM2305A-X2-B	Rp 1/4 (1/4 - 19 BSP Parallel)
Material Inlet (female)	
LM2305A-X1-B	1-1/2 - 11-1/2 N.P.T.F. - 1
LM2305A-X2-B	Rp 1-1/2 (1-1/2 - 11 BSP Parallel)
Material Outlet (female)	
LM2305A-X1-B	1/2 - 14 N.P.T.F. - 1
LM2305A-X2-B	Rp 1/2 (1/2 - 14 BSP Parallel)
Pump Rebuild Kit	637226

#### MATERIALS OF CONSTRUCTION

Outlet Body	Steel
Cylinder	Aluminum
Plunger	Steel
Upper Packing	Polyurethane
Lower Packing	Polyurethane
Upper Seat	Steel
Lower Seat	Steel
Upper Ball	Steel
Lower Ball	Steel
Inlet Body	Steel

#### PERFORMANCE

Air Inlet Pressure Range	0 - 150 p.s.i. (0 - 10.3 bar)
Fluid Pressure Range	0 - 750 p.s.i. (0 - 51.7 bar)
Maximum Working Flow Rate	6 g.p.m. (22.7 l.p.m.)
Displacement / Cycle @ 100 p.s.i.	8.3 in. <sup>3</sup> (0.136 liters)
Cycles Per Gallon	28
Noise Level @ 100 p.s.i.	85 db(A) <sup>①</sup>

① The pump sound pressure level has been updated to an Equivalent Continuous Sound Level (L<sub>Aeq</sub>) to meet the intent of ANSI S1. 13-1971, CAGI-PNEUROP S5.1 using four microphone locations.

#### ACCESSORIES:

61113 Wall Mount Bracket  
66073-1 Air Line Connection Kit

**airpumping.co.uk**

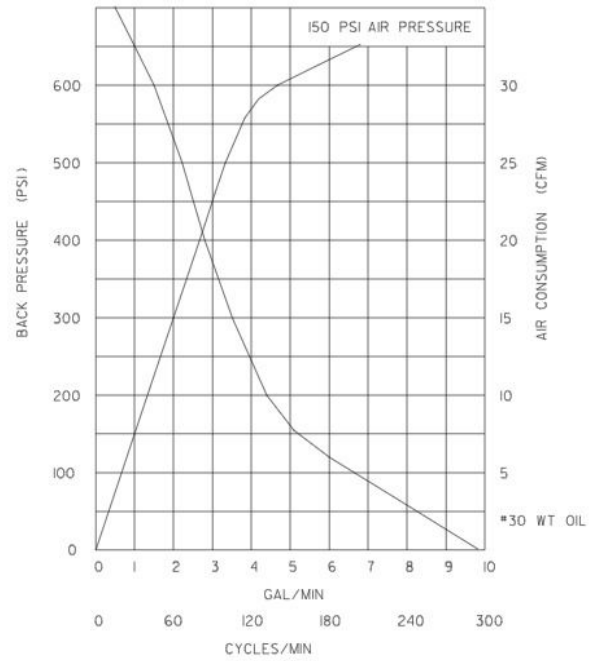
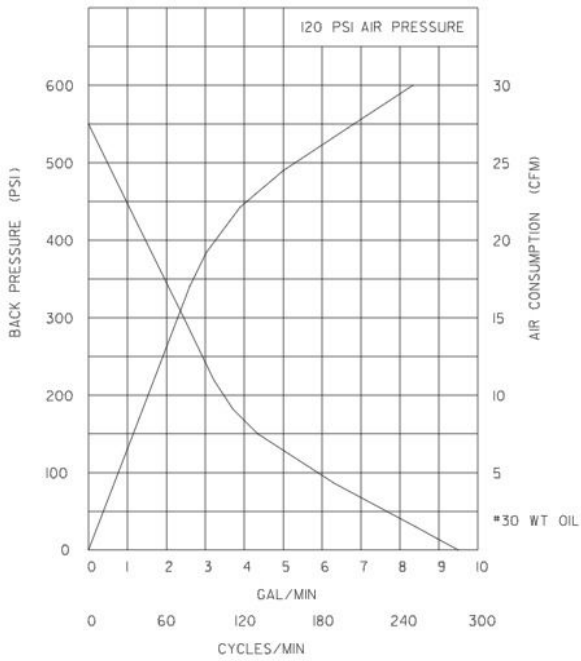
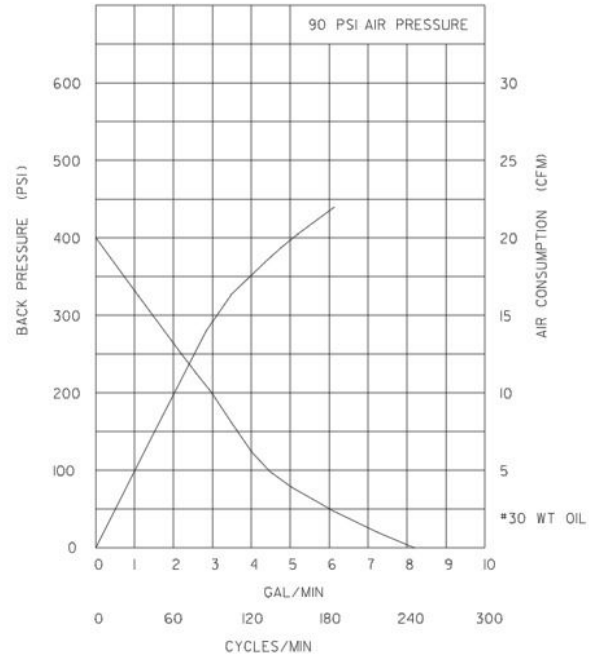
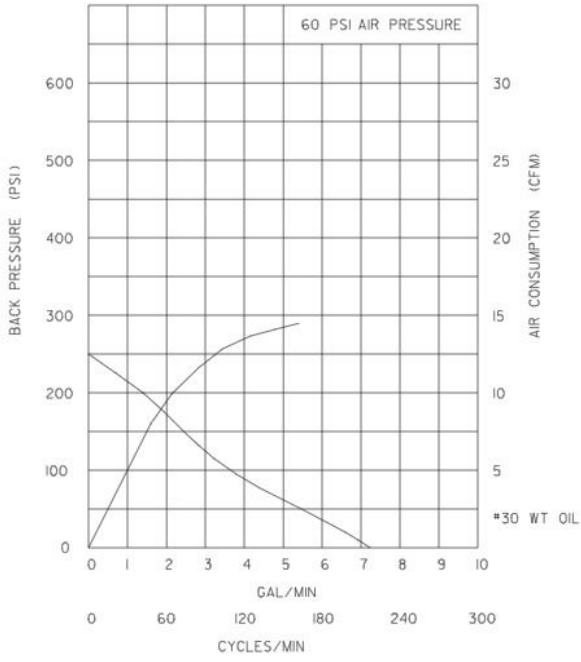
est. 1979

Unit 16, Uppminster Trading Park, Warley St., Uppminster, Essex, RM14 3PJ, ENGLAND

**ARO**

**IR** Ingersoll Rand  
Industrial Technologies

# PERFORMANCE CURVES



## PERFORMANCE CURVES

