

highest quality state of the art
 customized PRECISION
RAI PREMIUM

CARATTERISTICHE - SPECIFICATIONS

IN	DIAMETER	Ø	1" BSP
	PRESS.	Min.	-0.1 bar -1.5 PSI
		Max.	6 bar 87 PSI
TEMP.	Max.	74° C. 165° F.	
OUT	DIAMETER	Ø	3/8 BSP
SHAFT		Ø	30 mm
OIL		SAE 75W90	1.5 litri 0.4 U.S.G.
PESO WEIGHT		Kg / lbs	19.5 / 43.0



FLANGIA CON GIUNTO ELASTICO PER MOTORI IDRAULICI (vedi pag. 76)
 BELL HOUSING + FLEXIBLE COUPLING FOR HYDRAULIC MOTORS (see page 76)

BRIDE AVEC ACCOUPLEMENT ELASTIQUE POUR MOTEURS HYDRAULIQUES (voir page 76)
 BRIDA CON JUNTA ELÁSTICA PARA MOTORES HIDRAULICOS (véase pág. 76)



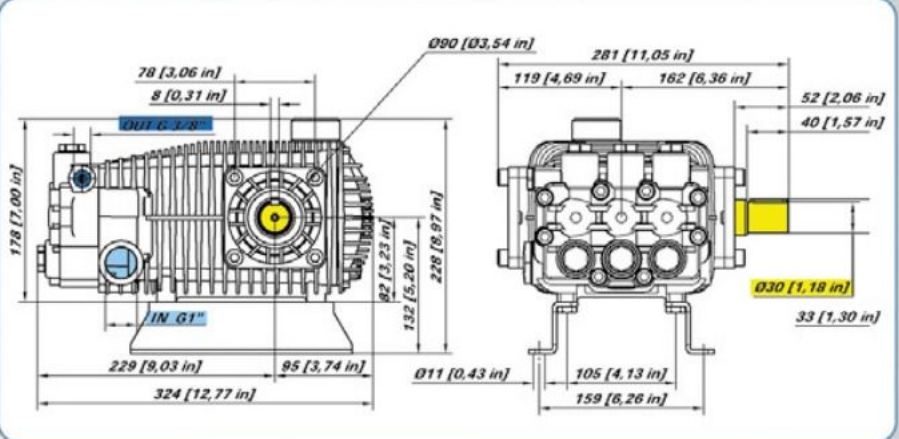
INTELLIseal™

Dx Bz B O

OPTIONAL

F Sx G M

KIT PIEDINI cod. 08.9829.97.3 (optional)
 MOUNTING RAILS KIT cod. 08.9829.97.3 (optional)
 KIT SUPPORTS cod. 08.9829.97.3 (option)
 JUEGO DE PIES cod. 08.9829.97.3 (opción)






CARATTERISTICHE - FEATURES

PERFORMANCE CHART

MODELLO MODEL CODICE PART NR.	MAX		PRESS		RPM 950				RPM 1450				RPM 1725				PIST. PLUNG. Dia. mm	CORSA STROKE mm
	L/min	GPM	Bar	PSI	L/min	GPM	KW	HP	L/min	GPM	KW	HP	L/min	GPM	KW	HP		
RAL 1640-P 08.1019.97.A	19.6	5.2	300	4350	11.0	2.9	6.5	8.7	16.6	4.4	9.8	13.1	19.6	5.2	11.5	15.5	18	16
			350	5075	10.9	2.9	7.5	10.1	16.5	4.4	11.4	15.2	19.5	5.1	13.4	17.9		
			400	5800	10.9	2.9	8.5	11.5	16.4	4.3	12.9	17.3	19.4	5.1	15.2	20.4		
RAL 1840-P 08.1005.97.A	22.0	5.8	300	4350	12.4	3.3	7.3	9.8	18.7	4.9	11.0	14.8	22.0	5.8	13.0	17.4	18	18
			350	5075	12.3	3.3	8.5	11.3	18.6	4.9	12.8	17.1	21.9	5.8	15.1	20.2		
			400	5800	12.2	3.2	9.6	12.9	18.5	4.9	14.5	19.5	21.8	5.8	17.1	23.0		
RAL 2035-P 08.1021.97.A	24.2	6.4	250	3625	13.6	3.6	6.7	8.9	20.5	5.4	10.1	13.5	24.2	6.4	11.9	15.9	20	16
			300	4350	13.5	3.6	8.0	10.7	20.4	5.4	12.0	16.1	24.0	6.4	14.2	19.0		
			350	5075	13.4	3.5	9.2	12.4	20.3	5.4	14.0	18.7	23.9	6.3	16.4	22.0		
RAL 2335-P 08.1022.97.A	23.1	6.1	250	3625	15.3	4.0	7.5	10.1	23.1	6.1	11.3	15.2	N.D. N.A.	20	18			
			300	4350	15.2	4.0	8.9	12.0	23.0	6.1	13.5	18.1						
			350	5075	15.1	4.0	10.4	13.9	22.8	6.0	15.7	21.1						

customized highest state PRECISIONALITY OF THE ART RAL PREMIUM

CARATTERISTICHE - SPECIFICATIONS

IN	DIAMETER	\varnothing	1" BSP
	PRESS.	Min.	-0.1 bar -1.5 PSI
		Max.	6 bar 87 PSI
TEMP.	Max.	74° C. 165° F.	
OUT	DIAMETER	\varnothing	3/8 BSP
SHAFT		\varnothing	30 mm
OIL		SAE 75W90	1.5 litri 0.4 U.S.G.
PESO WEIGHT		Kg/lbs	19.5 / 43.0



FLANGIA CON GIUNTO ELASTICO PER MOTORI IDRAULICI (vedi pag. 76)

BRIDE AVEC ACCOUPLEMENT ELASTIQUE POUR MOTEURS HYDRAULIQUES (voir page 76)

BELL HOUSING + FLEXIBLE COUPLING FOR HYDRAULIC MOTORS (see page 76)

BRIDA CON JUNTA ELÁSTICA PARA MOTORES HIDRÁULICOS (véase pág. 76)



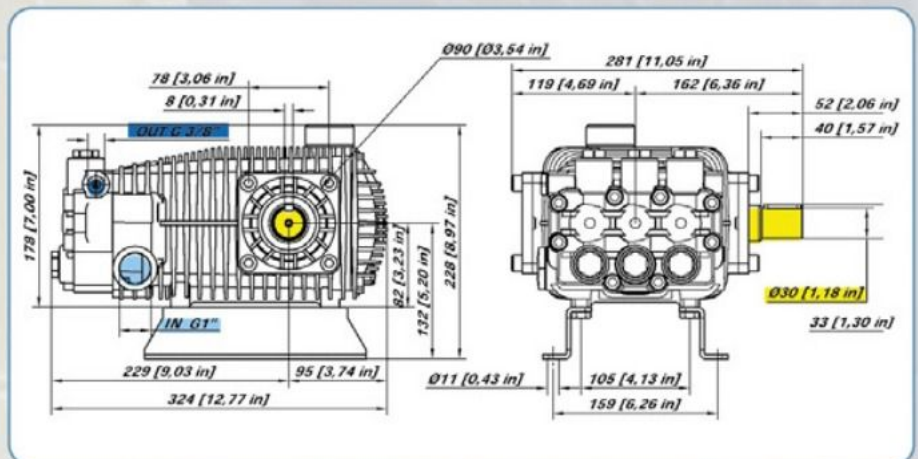
INTELLISEAL™



OPTIONAL



KIT PIEDINI cod. 08.9829.97.3 (optional)
MOUNTING RAILS KIT cod. 08.9829.97.3 (optional)
KIT SUPPORTS cod. 08.9829.97.3 (option)
JUEGO DE PIES cod. 08.9829.97.3 (opción)



CARATTERISTICHE - FEATURES

PERFORMANCE CHART

MODELLO MODEL CODICE PART NR.	MAX		PRESS		RPM 950				RPM 1200				RPM 1450				PIST. PLUNG. Dia. mm	CORSA STROKE mm
	L/min	GPM	Bar	PSI	L/min	GPM	KW	HP	L/min	GPM	KW	HP	L/min	GPM	KW	HP		
RAL 2535-P 08.1000.97.A	24.7	6.5	250	3625	16.5	4.4	8.1	10.9	20.7	5.5	10.2	13.6	24.7	6.5	12.2	16.3	20	19.5
			300	4350	16.5	4.3	9.7	13.0	20.6	5.4	12.1	16.3	24.6	6.5	14.5	19.5		
			350	5075	16.4	4.3	11.3	15.1	20.5	5.4	14.1	18.9	24.5	6.5	16.8	22.6		
RAL 2830-P 08.1036.97.A	27.6	7.3	200	2900	18.5	4.9	7.3	9.7	23.1	6.1	9.1	12.2	27.6	7.3	10.9	14.6	22	18
			250	3625	18.4	4.9	9.0	12.1	23.0	6.1	11.3	15.1	27.5	7.3	13.5	18.1		
			300	4350	18.3	4.8	10.8	14.4	22.9	6.0	13.5	18.1	27.4	7.2	16.1	21.6		
RAL 3030-P 08.1002.97.A	29.6	7.8	200	2900	19.8	5.2	7.8	10.4	24.8	6.5	9.7	13.0	29.6	7.8	11.6	15.6	22	19.5
			250	3625	19.7	5.2	9.7	13.0	24.6	6.5	12.1	16.2	29.5	7.8	14.5	19.4		
			300	4350	19.6	5.2	11.5	15.5	24.5	6.5	14.4	19.4	29.3	7.7	17.3	23.2		

highest quality state of the art CUSTOMER PRECISION RA PREMIUM

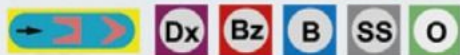
CARATTERISTICHE - SPECIFICATIONS

IN	DIAMETER	∅	1" BSP
	PRESS.	Min.	-0.1 bar - 1.5 PSI
		Max.	6 bar 87 PSI
TEMP.	Max.	74° C. 165° F.	
OUT	DIAMETER	∅	3/8 BSP
SHAFT		∅	30 mm
OIL		SAE 75W90	1.5 litri 0.4 U.S.G.
PESO WEIGHT		Kg / lbs	20.8 / 46

TESTATA IN ACCIAIO INOX
STAINLESS STEEL HEAD



INTELLiseal™



OPTIONAL



KIT PIEDINI cod. 08.9829.97.3 (optional)
MOUNTING RAILS KIT cod. 08.9829.97.3 (optional)
KIT SUPPORTS cod. 08.9829.97.3 (option)
JUEGO DE PIES cod. 08.9829.97.3 (opción)

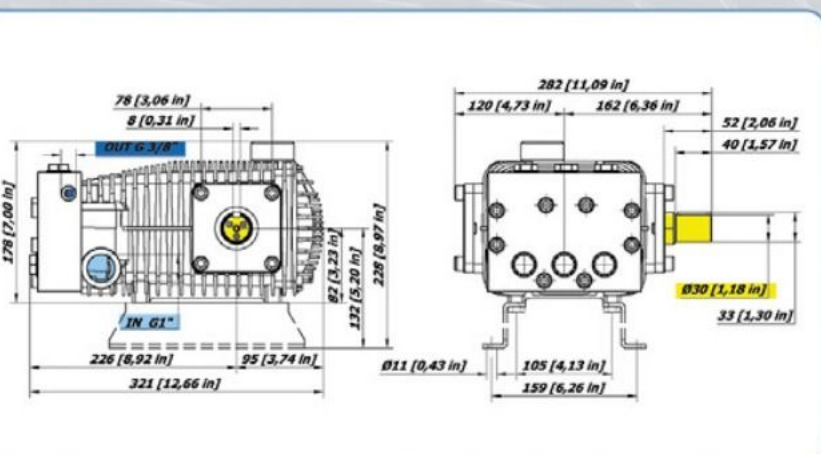


FLANGIA CON GIUNTO ELASTICO
PER MOTORI IDRAULICI
(vedi pag. 76)

BELL HOUSING + FLEXIBLE COUPLING
FOR HYDRAULIC MOTORS
(see page 76)

BRIDE AVEC ACCOUPLEMENT ELASTIQUE
POUR MOTEURS HYDRAULIQUES
(voir page 76)

BRIDA CON JUNTA ELÁSTICA PARA
MOTORES HIDRÁULICOS
(véase pág. 76)



CARATTERISTICHE - FEATURES

PERFORMANCE CHART

MODELLO MODEL CODICE PART NR.	MAX		PRESS		RPM 950				RPM 1450				PIST. PLUNG. Dia. mm	CORSA STROKE mm
	L/min	GPM	Bar	PSI	L/min	GPM	KW	HP	L/min	GPM	KW	HP		
RA 1650-P 08.1070.97.A	15.8	4.2	400	5800	10.5	2.8	8.2	11.0	15.8	4.2	12.4	16.7	20	12.5
			450	6525	10.4	2.8	9.2	12.4	15.8	4.2	13.9	18.7		
			500	7250	10.4	2.7	10.2	13.7	15.7	4.1	15.4	20.7		
RA 1850-P 08.1071.97.A	17.8	4.7	400	5800	11.7	3.1	9.2	12.4	17.8	4.7	13.9	18.7	20	14
			450	6525	11.7	3.1	10.3	13.8	17.7	4.7	15.6	20.9		
			500	7250	11.6	3.1	11.4	15.3	17.6	4.6	17.3	23.1		
RA 2150-P 08.1072.97.A	21.6	5.7	400	5800	14.3	3.8	11.2	15.0	21.6	5.7	16.9	22.7	20	17
			450	6525	14.2	3.7	12.5	16.8	21.4	5.7	19.0	25.4		
			500	7250	14.1	3.7	13.9	18.6	21.3	5.6	21.0	28.1		
RA 2450-P 08.1074.97.A	24.1	6.4	400	5800	15.9	4.2	12.5	16.8	24.1	6.4	18.9	25.4	20	19.5
			450	6525	15.9	4.2	14.0	18.8	24.0	6.3	21.2	28.4		
			500	7250	15.8	4.2	15.5	20.8	23.9	6.3	23.4	31.4		