

WJC-U

NEW



VALVOLE DI REGOLAZIONE
PRESSIONE (vedi pag. 71)

RÉGULATEUR DE PRESSION
(voir page 71)

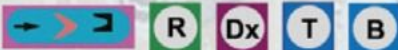
PRESSURE REGULATING VALVES
(see page 71)

REGULACIÓN DE PRESIÓN
(véase pág. 71)

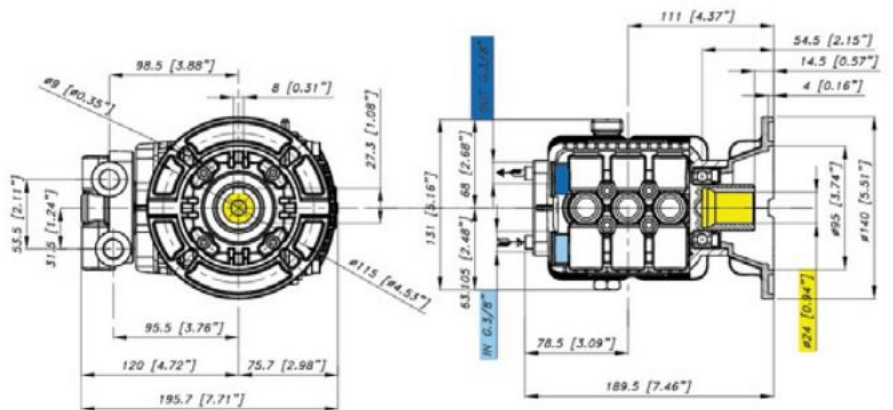
CARATTERISTICHE - SPECIFICATIONS

IN	DIAMETER	\varnothing	3/8 BSP
	PRESS.	Min.	1 bar 15 PSI
		Max.	6 bar 87 PSI
TEMP.	Max.	60° C - 140° F	
OUT	DIAMETER	\varnothing	3/8 BSP
SHAFT		\varnothing	HOLLOW 24 mm
OIL		SAE 75W 90	0.5 litri 0.13 U.S.G.
PESO WEIGHT		Kg lbs	5.5/12.1

M IEC 90 B14-24mm



OPTIONAL



CARATTERISTICHE - FEATURES

WJC-U 1450 RPM

PERFORMANCE CHART

CODICE PART NR.	MODELLO MODEL	PRESS MAX / MAX PRESSURE		PORTATA / FLOW		POTENZA / POWER		PIST. PLUNG. Dia. mm	CORSA STROKE mm
		Bar	PSI	L/min	GPM	KW	HP		
02.6040.97.3	WJC-U 110	100	1450	1.3	0.3	0.3	0.4	15	2
02.6041.97.3	WJC-U 210	100	1450	2.0	0.5	0.5	0.6	15	3
02.6042.97.3	WJC-U 410	100	1450	4.1	1.1	0.9	1.2	15	6
02.6043.97.3	WJC-U 710	100	1450	7.0	1.8	1.4	1.9	15	10