

# AG-JEC Series

Self-priming pumps for swimming pools with pre-filter.

## Specifications

Delivery: up to 30 m<sup>3</sup>/h  
Head: up to 17 m  
Power supply: three-phase and single-phase 50 Hz  
Power: 0.3 kW to 1.5 kW  
Maximum operating pressure: 2 bar  
Temperature of pumped liquid: -10°C to +40°C  
Insulation class: F  
Protection: IP55

## Materials

Pump body: Technopolymer  
Pump-motor adapter: Technopolymer  
Impeller: Technopolymer  
Diffuser: Technopolymer  
Mechanical seal: Ceramic/Carbon  
Drain cap: Technopolymer  
Basket filter: Technopolymer  
Elastomers: NBR

## Applications

Water distribution

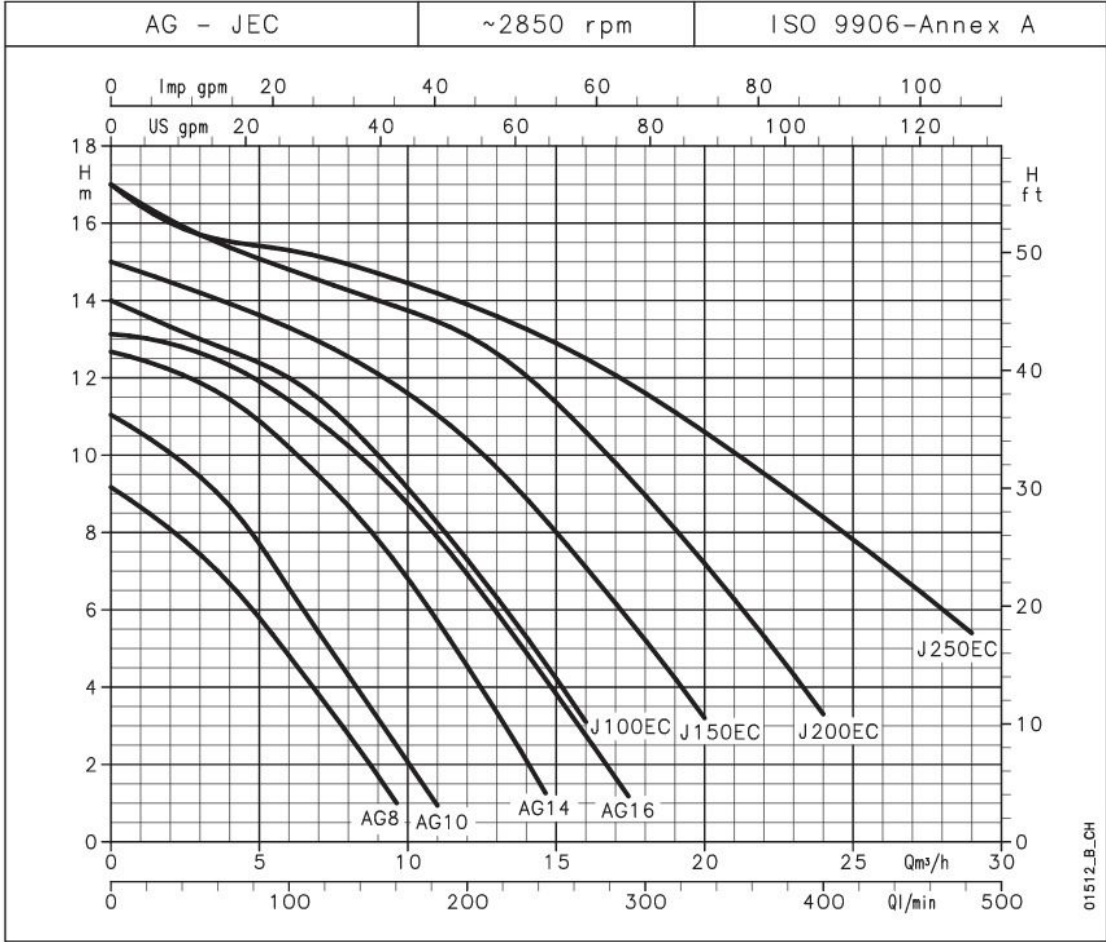
Swimming pools

Fountains and water displays



For a complete list of technical information, consult [www.lowara.com](http://www.lowara.com)

# AG-JEC SERIES SINGLE-PHASE Operating characteristics at 50 Hz



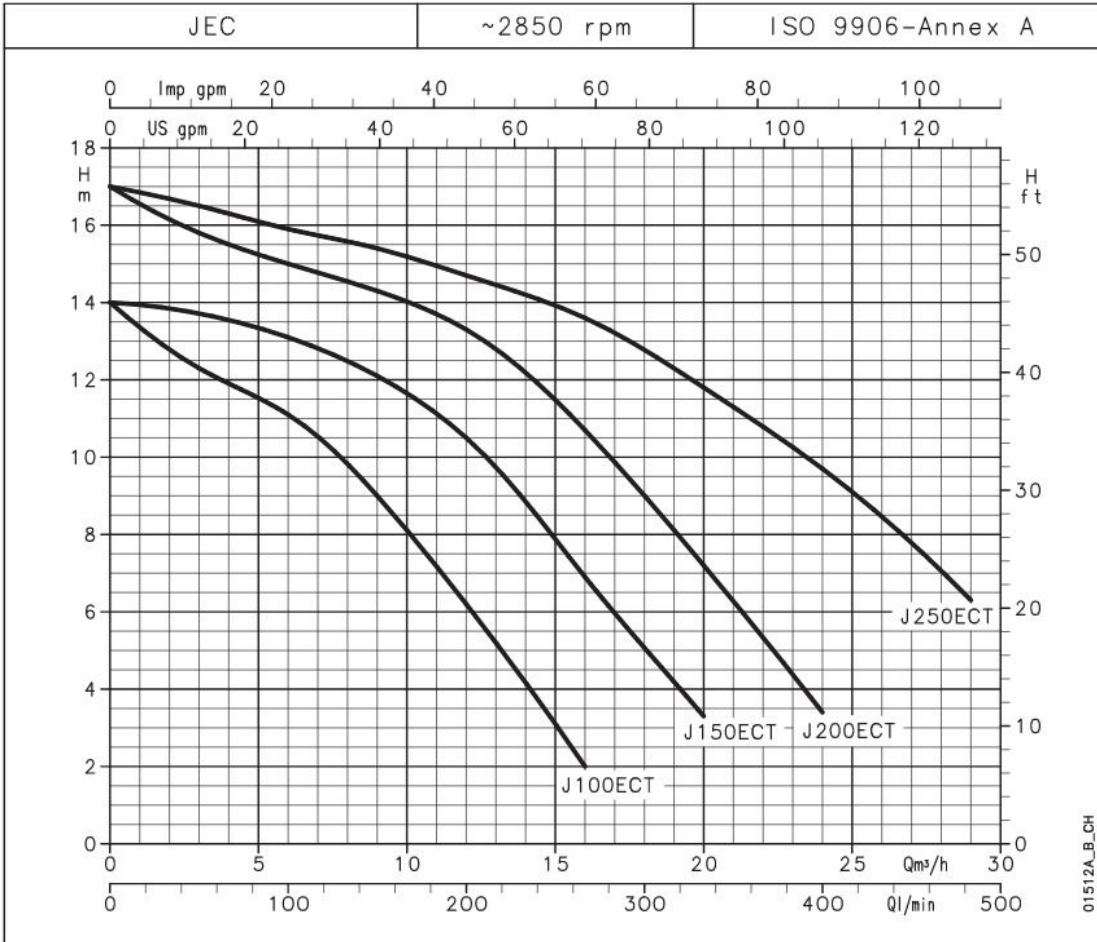
Hydraulic performance table

PUMP TYPE	RATED POWER		RATED CURRENT	CAPACITOR		Q = DELIVERY									
						l/min	0	50	100	150	200	267	333	400	483
230V 50Hz	kW	HP	A	µF	V	m³/h	0	3	6	9	12	16	20	24	29
H = TOTAL HEAD IN COLUMN OF WATER (METRES)															
AG8	0,3	0,4	1,45	10	420	9,2	7,5	4,8	1,7						
AG10	0,37	0,5	1,7	10	420	11	9,4	6,6	3,2						
AG14	0,55	0,75	2,8	10	420	12,7	11,9	10,2	7,8	4,5					
AG16	0,67	0,92	3,0	10	420	13,1	12,6	11,4	9,5	7	2,8				
J100EC	0,55	0,75	3,2	12,5	420	14	13,0	12	10	7,3	3,1				
J150EC	0,75	1	3,5	20	420	15	14,2	13,3	12,1	10,4	7,1	3,2			
J200EC	1,1	1,5	5,7	25	420	17	15,7	14,8	14	13,1	10,6	7,2	3,3		
J250EC	1,5	2	7,5	25	420	17	15,7	15,3	14,7	13,9	12,5	10,6	8,4	5,4	

ag-jec-1ph-2p50\_b\_th

# JEC SERIES THREE-PHASE

## Operating characteristics at 50 Hz



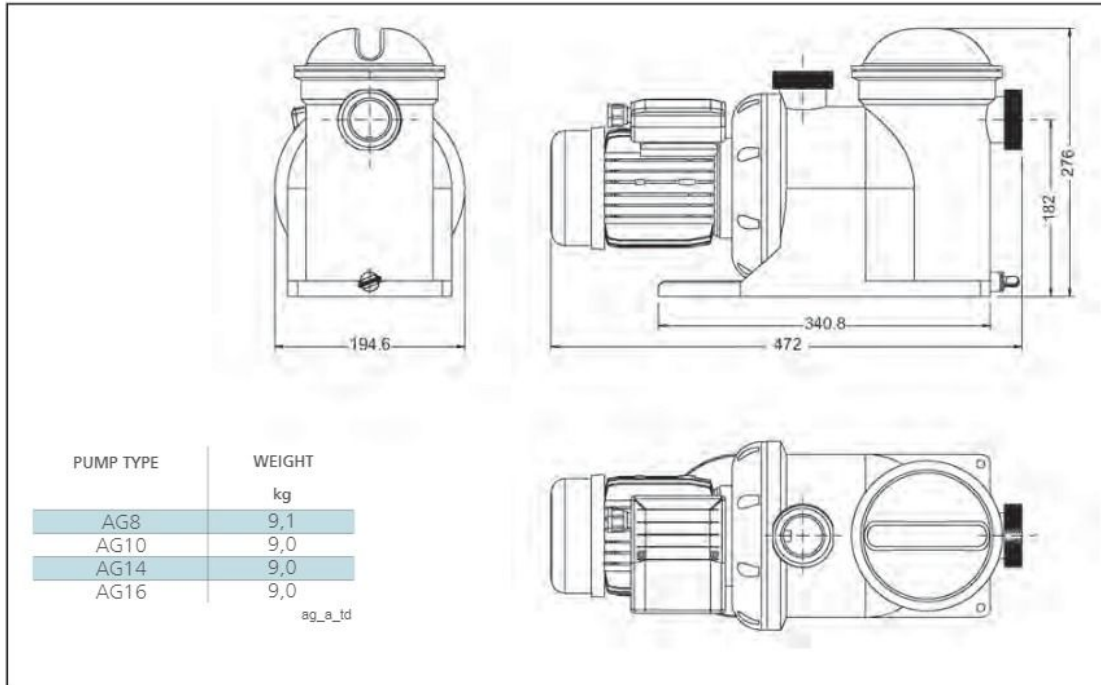
Hydraulic performance table

PUMP TYPE	RATED POWER		RATED CURRENT	Q = DELIVERY									
	kW	HP		l/min	50	100	150	200	267	333	400	483	
400V 50Hz			A	m³/h	0	3	6	9	12	16,02	19,98	24	28,98
					H = TOTAL HEAD IN COLUMN OF WATER (METRES)								
J100ECT	0,55	0,75	1,1	14	12,3	11,1	9	6,2	2				
J150ECT	0,75	1	1,8	14	13,5	13,1	12,1	10,5	6,9	3,3			
J200ECT	1,1	1,5	2,4	17	15,8	15	14,3	13,3	10,7	7,2	3,4		
J250ECT	1,5	2	3,4	17	16,5	15,9	15,4	14,7	13,6	11,8	9,7	6,3	

ag-jec-3ph-2p50\_a\_th

## AG SERIES

### Dimensions and weights



## JEC SERIES

### Dimensions and weights

