

# BG Series

Close-coupled self-priming centrifugal pumps with built-in ejector system, designed to remain primed even in the presence of water-dissolved gases. The extensive use of pressed stainless steel ensures a high-performance, durable and lightweight pump.

Available in the "Garden" version with handle and terminal box with builtin switch.

## Specifications

Delivery: up to 4.2 m<sup>3</sup>/h  
Head: up to 53 m  
Power supply: three-phase and single-phase 50 and 60 Hz  
Power: 0.37 kW to 1.1 kW  
Maximum operating pressure: 8 bar  
Maximum total lift: 8 m  
Maximum ambient temperature: 40°C  
Temperature of pumped liquid: -10°C to +40°C  
Insulation class: F  
Protection: IP55

## Materials

Pump body: Stainless steel  
Impeller: Stainless steel  
Diffuser: Technopolymer  
Ejector: Technopolymer  
Seal housing: Stainless steel  
Mechanical seal: Ceramic/Carbon/EPDM  
Fill and drain plugs: Nickel-plated brass  
Elastomers: EPDM

## Applications

Water distribution

Pressure boosting

Irrigation

Washing

Rain water collection

Swimming pools

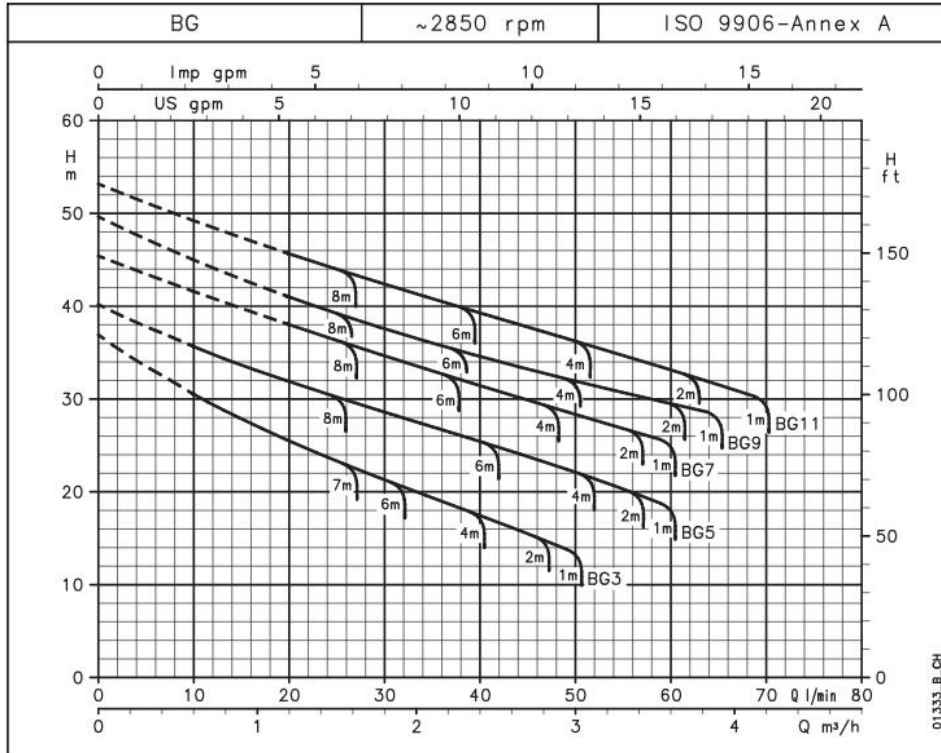
Fountains



For a complete list of technical information, consult [www.lowara.com](http://www.lowara.com)

## BG SERIES

### Operating characteristics at 50 Hz



### Hydraulic performance table

| PUMP TYPE                                  | RATED POWER |      | Q = DELIVERY |      |      |      |      |      |      |      |      |     |
|--|-------------|------|--------------|------|------|------|------|------|------|------|------|-----|
|  |             |      | l/min        | 0    | 10   | 20   | 30   | 40   | 50   | 60   | 65   | 70  |
|  | kW          | HP   | m³/h         | 0    | 0,6  | 1,2  | 1,8  | 2,4  | 3    | 3,6  | 3,9  | 4,2 |
| H = TOTAL HEAD IN COLUMN OF WATER (METRES) |             |      |              |      |      |      |      |      |      |      |      |     |
| BG(M)3                                     | 0,37        | 0,5  | 36,9         | 30,6 | 25,6 | 21,5 | 17,7 | 13,8 |      |      |      |     |
| BG(M)5                                     | 0,55        | 0,75 | 40,2         | 35,7 | 32,0 | 28,8 | 25,7 | 22,4 | 18,8 |      |      |     |
| BG(M)7                                     | 0,75        | 1    | 45,4         |      | 38,1 | 34,8 | 31,7 | 28,6 | 25,6 |      |      |     |
| BG(M)9                                     | 0,9         | 1,2  | 49,6         |      | 41,1 | 37,7 | 34,8 | 32,2 | 29,8 | 28,6 |      |     |
| BG(M)11                                    | 1,1         | 1,5  | 53,2         |      | 45,8 | 42,5 | 39,5 | 36,5 | 33,5 | 31,9 | 30,3 |     |

Maximum delivery depends on geodetic suction lift with clean 8 m pipe and 1¼" foot valve.

bg-2p50\_a\_th

These performances are valid for liquids with density  $\rho = 1.0 \text{ kg/dm}^3$  and kinematic viscosity  $\nu = 1 \text{ mm}^2/\text{s}$ .

### Electrical data

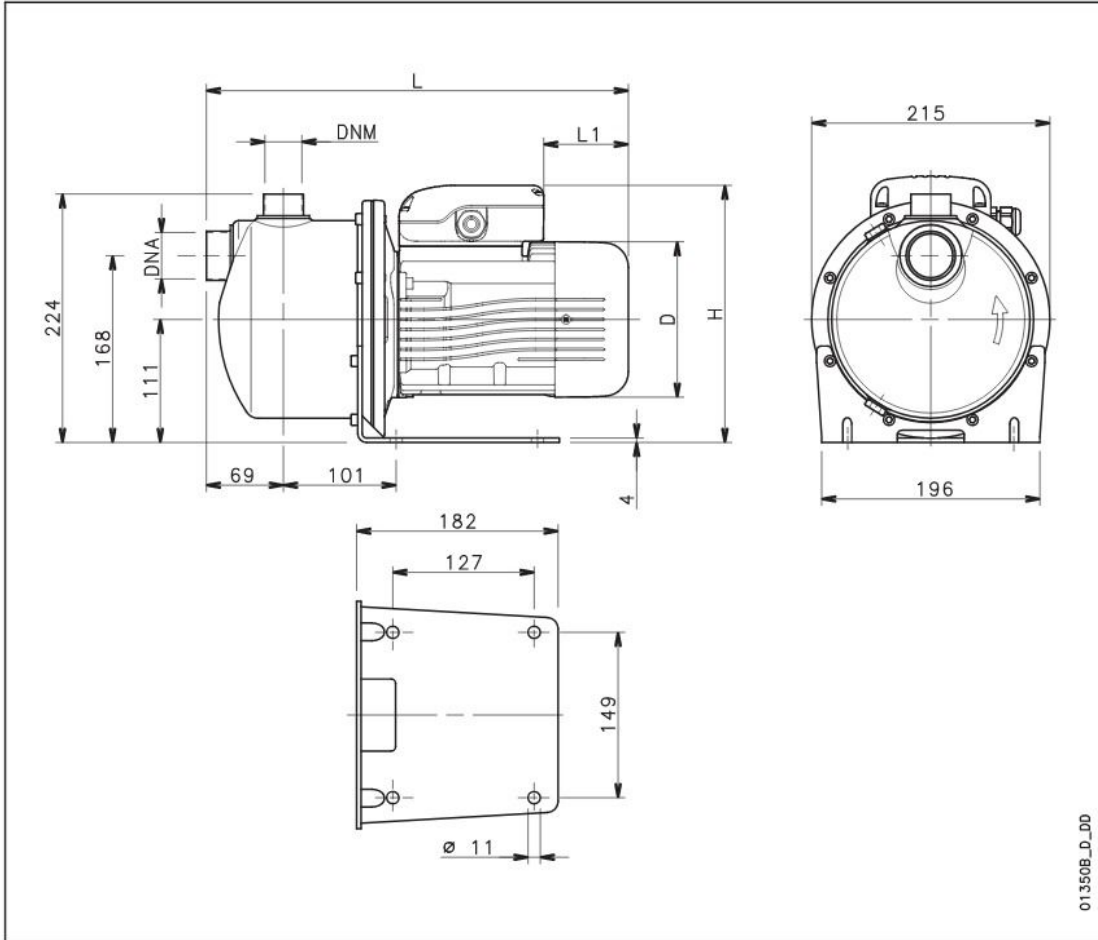
| PUMP TYPE | MOTOR TYPE  | INPUT POWER* | INPUT CURRENT* | CAPACITOR                     | PUMP TYPE | MOTOR TYPE   | INPUT POWER* | INPUT CURRENT* | INPUT CURRENT* |
|-----------|-------------|--------------|----------------|-------------------------------|-----------|--------------|--------------|----------------|----------------|
| 1 ~       |             | kW           | A              | $\mu\text{F} / 450 \text{ V}$ | 3 ~       |              | kW           | A              | A              |
| BGM3      | SM63BG/1045 | 0,67         | 2,96           | 14                            | BG3       | SM63BG/304   | 0,68         | 2,56           | 1,48           |
| BGM5      | SM71BG/1055 | 0,91         | 4,33           | 16                            | BG5       | SM71BG/305   | 0,81         | 2,74           | 1,58           |
| BGM7      | SM71BG/1075 | 1,11         | 5,00           | 20                            | BG7       | SM80BG/307HE | 1,07         | 3,32           | 1,92           |
| BGM9      | SM71BG/1095 | 1,24         | 5,54           | 25                            | BG9       | SM80BG/311HE | 1,15         | 3,65           | 2,11           |
| BGM11     | SM80BG/1115 | 1,43         | 6,47           | 30                            | BG11      | SM80BG/311HE | 1,34         | 4,12           | 2,38           |

\*Maximum value in specified range.

bg-2p50-en\_b\_te

# BG SERIES

## Dimensions and weights



| PUMP TYPE | DIMENSIONS (mm) |     |     |     | DNA      | DNM  | WEIGHT<br>kg |
|-----------|-----------------|-----|-----|-----|----------|------|--------------|
|           | D               | L   | L1  | H   |          |      |              |
| BGM3      | 120             | 366 | 62  | 222 | Rp 1 1/4 | Rp 1 | 10           |
| BGM5      | 140             | 380 | 76  | 232 | Rp 1 1/4 | Rp 1 | 12           |
| BGM7      | 140             | 380 | 76  | 232 | Rp 1 1/4 | Rp 1 | 13           |
| BGM9      | 140             | 380 | 31  | 241 | Rp 1 1/4 | Rp 1 | 13           |
| BGM11     | 156             | 425 | 69  | 248 | Rp 1 1/4 | Rp 1 | 16           |
| BG3       | 120             | 366 | 62  | 222 | Rp 1 1/4 | Rp 1 | 10           |
| BG5       | 140             | 380 | 76  | 232 | Rp 1 1/4 | Rp 1 | 12           |
| BG7       | 155             | 425 | 114 | 240 | Rp 1 1/4 | Rp 1 | 17           |
| BG9       | 155             | 425 | 114 | 240 | Rp 1 1/4 | Rp 1 | 19           |
| BG11      | 155             | 425 | 114 | 240 | Rp 1 1/4 | Rp 1 | 19           |

bg-2p50-en\_e\_td