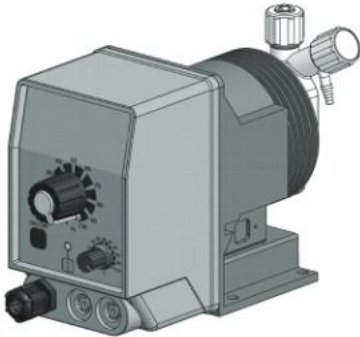


Configuration Code



Power supply: 230 VAC (190÷265 VAC)
 Power supply: 115 VAC (90÷135 VAC)
 Power supply: 24 VAC (20÷32 VAC)
 Power supply: 12 VDC (10÷16 VDC)

MODELS		
Code H	MOD.	DESCRIPTION
TA	"TA"	Constant pump with stroke speed (frequency) adjustment and stroke length adjustment.
TS	"TS"	Proportional pump driven by external digital signal, with level control: to each external pulse corresponds one pump stroke.
SO	"SO"	Proportional pump driven by external digital signal: to each external pulse corresponds one pump stroke.
TI	"IC"	Constant-proportional pump driven by current signal (0/4mA=0 pulses; 20mA=max pulses) and level control.

CAPACITIES			
H Models			Hoses
1802	2 l/h at 18 bar	0.53 GPH at 261 PSI	4 x 8
1504	4 l/h at 15 bar	1.06 GPH at 217 PSI	4 x 6
1005	5 l/h at 10 bar	1.32 GPH at 145 PSI	4 x 6
1002	2 l/h at 10 bar	0.53 GPH at 145 PSI	4 x 6
10006	0,6 l/h at 10 bar	0,16 GPH at 145 PSI	4 x 6
0808	8 l/h at 8 bar	2.11 GPH at 116 PSI	4 x 6
0704	4 l/h at 7 bar	1.05 GPH at 102 PSI	4 x 6
0510	10 l/h at 5 bar	2.64 GPH at 58 PSI	4 x 6
0214	14 l/h at 2 bar	3.69 GPH at 29 PSI	4 x 6
0705	5 l/h at 7 bar	1.32 GPH at 87 PSI	4 x 6

POWER SUPPLY	
00	230 VAC Schuko plug
05	230 VAC australian plug
01	230 VAC without plug
03	115 VAC US plug
04	24 VAC without plug
05	12 VDC *
07	24 VDC

* On some models only.

Model H TA 0705 1 00 00

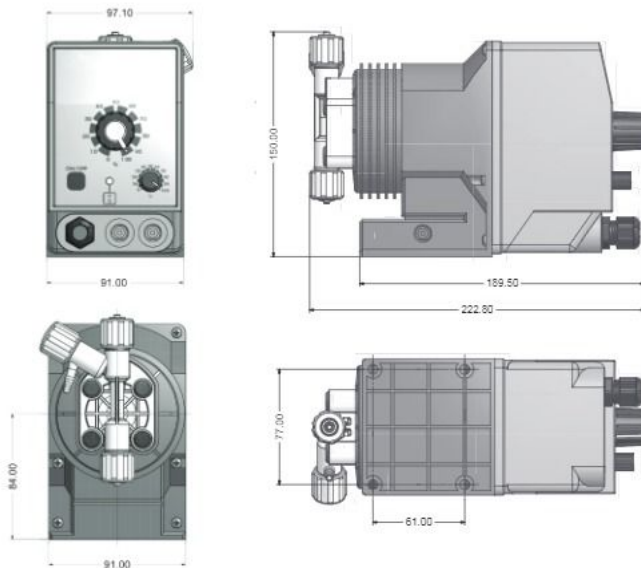
LIQUID ENDS							
	HEAD	ORINGS	VALVE	DIAPHRAGM	HOSES		VISCOSITY
			Balls		Delivery	Suction	
1	PVDF	Viton ®	Ceramic	PTFE	PE	PVC	100

Viton ® is a registered trademark DuPont Dow Elastomers.

"H" series Metering Pumps

Data Sheet

INFORMATION FOR H MODELS						
Models	Strokes speed		Stroke length range reliability	Power consumption at max flow (230 VAC)	Power consumption at max flow (115 VAC)	Weight
	min	max				
1802	18	180	from 30% to 100%	19 Watt	24 Watt	4.1 Kg (9.02 Lbs)
1504	18	180				
1005	18	180				
1002	15	150				
10006	15	150				
0808	18	180				
0704	15	150				
0510	18	180				
0214	18	180				
0705	15	150				



IP65 enclosure (NEMA4x)

"H" metering pumps are manufactured in molded glass filled and Polypropylene housing to ensure protection against aggressive chemicals and tough environment.

ENVIRONMENT: -10°C - +45°C (14°F - 113°F)

MORE INFORMATION ABOUT H MODELS						
Model	FLOW		cc per STROKE		Maximum pressure	
	min cc/h	max l/h	min	max	bar	PSI
1802	60	2	0,50	1,67	18	261
1504	120	4	0,42	1,39	15	217
1005	150	5	0,28	0,93	10	145
1002	60	2	0,03	0,11	10	145
10006	1,8	0,6	0,03	0,11	10	145
0808	240	8	0,22	0,74	8	116
0704	120	4	0,23	0,77	7	1021
0510	300	10	0,14	0,46	5	58
0214	420	14	0,05	0,18	2	29
0705	150	5	0,16	0,55	7	87

EMEC

ISO 9001:2008
ISO 14001:2004
OHSAS 18001:2007



Via Donatori di sangue, 1 - 02100 Vazia (RI) - Italy
Tel. +39 0746 2284 1 - Tel. +39 0746 1725114 - Fax +39 0746 2284 2 - <http://www.emec.it>

Specifications subject to change without notice.
ENG R1-09-10