

Motor driven diaphragm metering pump



Motor-driven diaphragm dosing pump, mechanical actuated, PRIUS combines efficiency and chemical resistance to a wide capacity range for an extensive number of applications.

Functions

- Capacity range up to 500 l/h
- Working pressure up to 10 bar
- Liquid ends available in different sizes and materials
- Manual degassing valve
- PTFE membrane valve
- Single or three phase motor power supply

Features

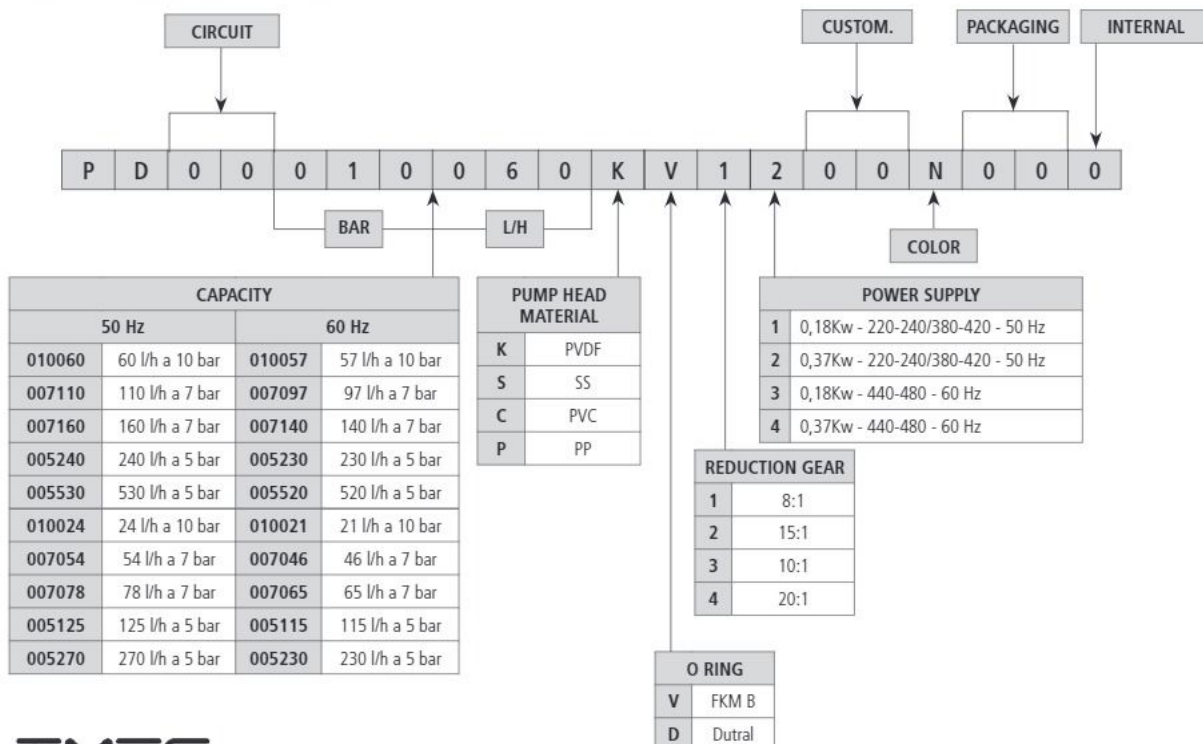
- Aluminium enclosure (epoxy coating)
- Spring return mechanism
- Environment temperature:.....0 ÷ 40°C (32 ÷ 104°F)
- Chemical temperature with PVDF pump head: 0 ÷ 65°C (32 ÷ 149°F)*
- Chemical temperature with SS pump head: 0 ÷ 90°C (32 ÷ 194°F)*
- Chemical temperature with PVC pump head: 0 ÷ 40°C (32 ÷ 104°F)
- Installation class
- Pollution level
- Audible noise.....78 dbA (± 5 dB)
- Protection degreeIP 55
- Max suction height3 m
- Oil capacity.....0,3 lt (Refer to "Lubricant type" table)

* The specified temperature can be exceeded temporarily (max 15') for sterilization or flushing with hot water.



LUBRICANT TYPE	
BRAND	MODEL
MOBIL	MOBILGEAR 632
SHELL	OMALA OIL 320
BP	ENERGOL GR-XP 320
IP	MELLANA OIL 320
ESSO	SPARTAN EP 320
AGIP	BLASIA 320

Identification Code



PRIUS

Data Sheet

Motor driven diaphragm metering pump

PRIUS - 50 Hz

Power supply..... 220-240/380-420 V - Δ/Y

PRIUS 50 Hz													
MODELS	PRESSURE		CAPACITY		STROKE / 1'	MOTOR	REDUCTION GEAR	PUMP HEAD MODEL			HOSE CONNECTION		
	bar	PSI	l/h	GPH				PVDF	PVC	SS	PVDF pump head	PVC pump head	SS pump ead
010060	10	145	60	16	175	0,18 kW	8 : 1	NM	-	NM	1/2" 13 mm (i.d.)	-	R1/2" G1/2"
007110	7	101,5	110	29	175	0,37 kW	8 : 1	TM	-	TM	3/4" 13 mm (i.d.)	-	R3/4" G3/4"
007160	7	101,5	160	42	175	0,37 kW	8 : 1	TM	-	TM	3/4" 13 mm (i.d.)	-	R3/4" G3/4"
005240	5	72,5	240	63	175	0,37 kW	8 : 1	TM	-	TM	3/4" 18 mm (i.d.)	-	R3/4" G3/4"
005530	5	72,5	530	140	175	0,37 kW	8 : 1	-	UM	UM	-	G1-1/2" 32 mm (i.d.)	R1" G1"
010024	10	145	24	6,3	94	0,18 kW	15 : 1	NM	-	NM	1/2" 13 mm (i.d.)	-	R1/2" G1/2"
007054	7	101,5	54	14	94	0,37 kW	15 : 1	TM	-	TM	3/4" 13 mm (i.d.)	-	R3/4" G3/4"
007078	7	101,5	78	21	94	0,37 kW	15 : 1	TM	-	TM	3/4" 13 mm (i.d.)	-	R3/4" G3/4"
005125	5	72,5	125	33	94	0,37 kW	15 : 1	TM	-	TM	3/4" 18 mm (i.d.)	-	R3/4" G3/4"
005270	5	72,5	270	71	94	0,37 kW	15 : 1	-	UM	UM	-	G1-1/2" 32 mm (i.d.)	R1" G1"

Motor driven diaphragm metering pump

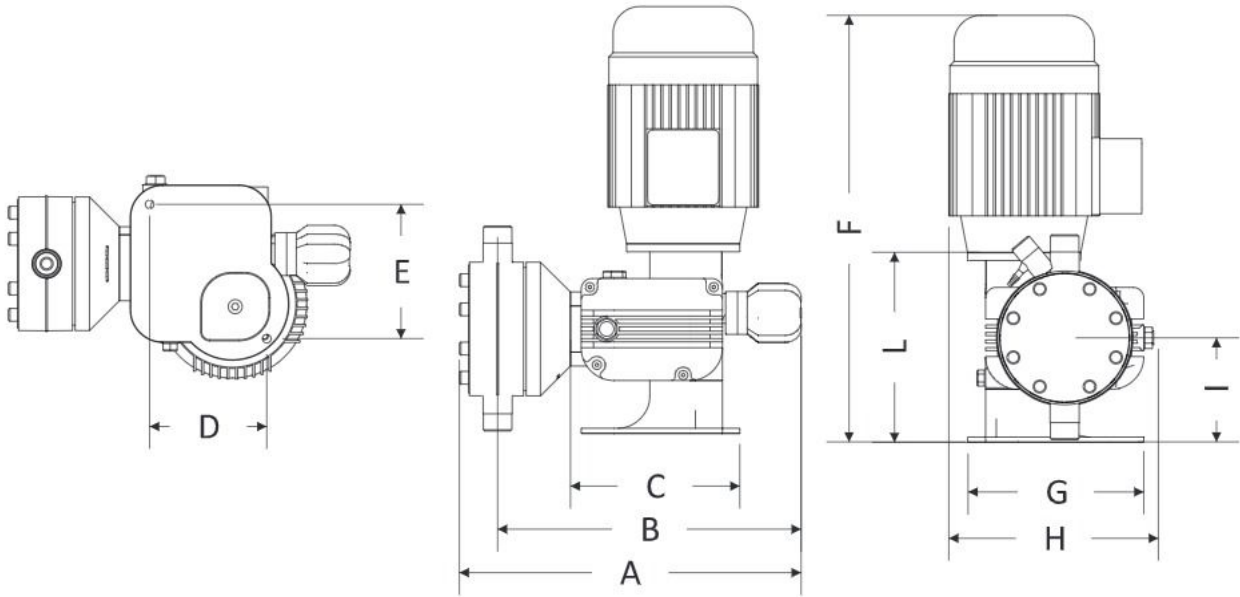
PRIUS - 60 Hz

Power supply..... 440-480 V - Y

PRIUS 60 Hz													
MODELS	PRESSURE		CAPACITY		STROKE / 1'	MOTOR	REDUCTION GEAR	PUMP HEAD MODEL			HOSE CONNECTION		
	bar	PSI	l/h	GPH				PVDF	PVC	SS	PVDF pump head	PVC pump head	SS pump ead
010057	10	145	57	15	175	0,18 kW	10 : 1	NM	-	NM	1/2" 13 mm (i.d.)	-	R1/2" G1/2"
007097	7	101,5	97	26	175	0,37 kW	10 : 1	TM	-	TM	3/4" 13 mm (i.d.)	-	R3/4" G3/4"
007140	7	101,5	140	37	175	0,37 kW	10 : 1	TM	-	TM	3/4" 13 mm (i.d.)	-	R3/4" G3/4"
005230	5	72,5	230	61	175	0,37 kW	10 : 1	TM	-	TM	3/4" 18 mm (i.d.)	-	R3/4" G3/4"
005520	5	72,5	520	137	175	0,37 kW	10 : 1	-	UM	UM	-	G1-1/2" 32 mm (i.d.)	R1" G1"
010021	10	145	21	6	87	0,18 kW	20 : 1	NM	-	NM	1/2" 13 mm (i.d.)	-	R1/2" G1/2"
007046	7	101,5	46	12	87	0,37 kW	20 : 1	TM	-	TM	3/4" 13 mm (i.d.)	-	R3/4" G3/4"
007065	7	101,5	65	17	87	0,37 kW	20 : 1	TM	-	TM	3/4" 13 mm (i.d.)	-	R3/4" G3/4"
005115	5	72,5	115	30	87	0,37 kW	20 : 1	TM	-	TM	3/4" 18 mm (i.d.)	-	R3/4" G3/4"
005230	5	72,5	230	61	87	0,37 kW	20 : 1	-	UM	UM	-	G1-1/2" 32 mm (i.d.)	R1" G1"

Motor driven diaphragm metering pump

Dimensions



DIMENSIONS (mm)	
A	~ 320
B	~ 280
C	157
L	177
G	163
H	~ 190
I	97,5
F	~ 400
E	125,2
D	108,6
∅ fixing holes	8

WEIGHT			
50Hz PUMP	60 Hz PUMP	tot.	without motor
010060	010057	11,80 Kg	7,50 Kg
007110	007097	12,30 Kg	8,00 Kg
007160	007140	12,30 Kg	8,00 Kg
005240	005230	14,30 Kg	8,00 Kg
005530	005520	15,60 Kg	9,30 Kg
010024	010021	11,80 Kg	7,50 Kg
007054	007046	12,30 Kg	8,00 Kg
007078	007065	12,30 Kg	8,00 Kg
005125	005115	14,30 Kg	8,00 Kg
005270	005230	15,60 Kg	9,30 Kg

PACKAGING			
50Hz PUMP	60 Hz PUMP	Weight	Dimensions
010060	010057	17 Kg	60x80x62 cm
007110	007097	18 Kg	
007160	007140	18 Kg	
005240	005230	20 Kg	
005530	005520	21 Kg	
010024	010021	17 Kg	
007054	007046	18 Kg	
007078	007065	18 Kg	
005125	005115	20 Kg	
005270	005230	21 Kg	



Multifunction motor driven plunger metering pump



Motor-driven plunger dosing pump, mechanical actuated, PRIUS combines efficiency and chemical resistance to a wide capacity range for an extensive number of applications.

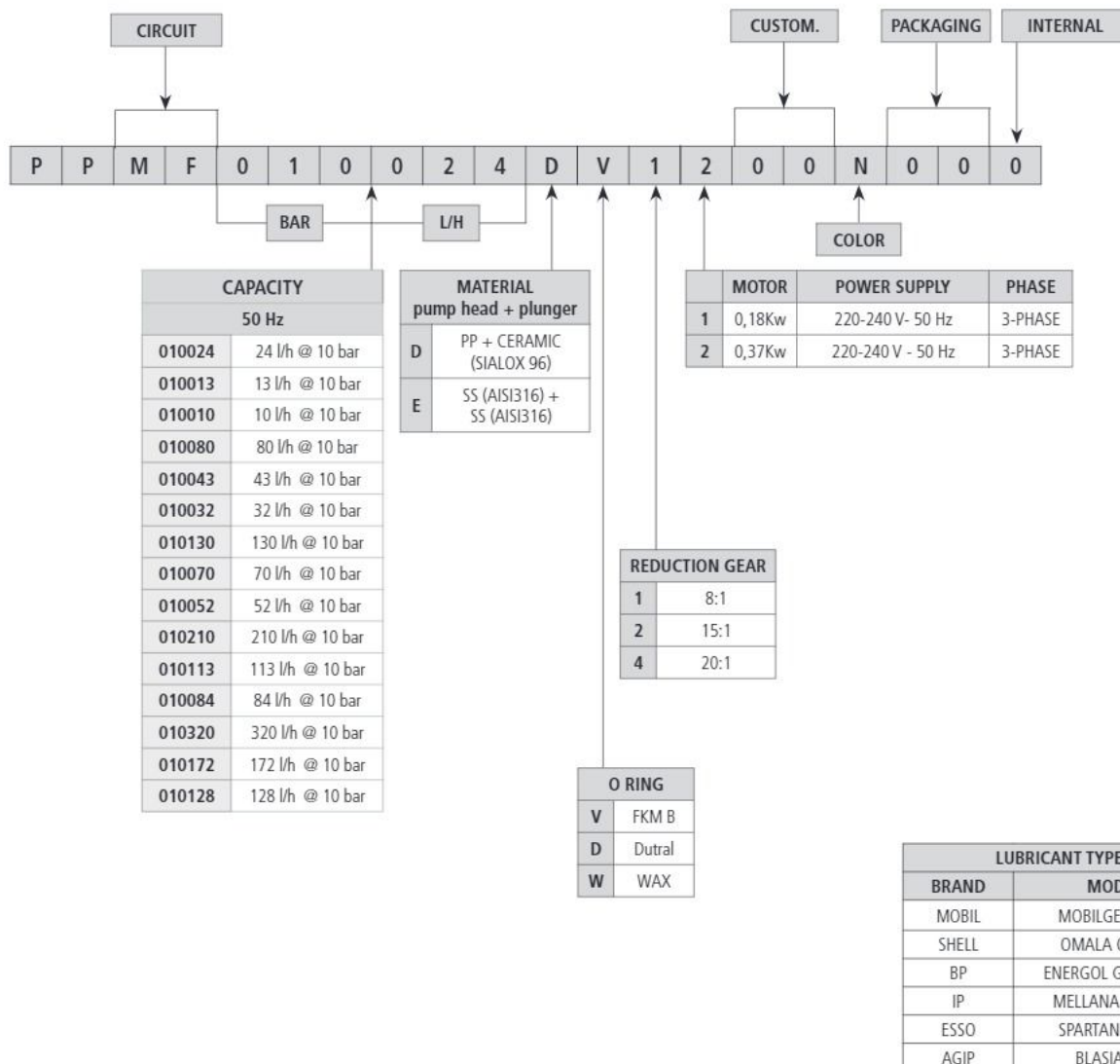
- Multifunction plunger pump with inverter for low power ratings
- Working mode: Constant, ppm, %, mlq, pause-work, weekly, mA, Volt and Batch
- Level control
- Alarms
- Stand-by
- Double position of the electronic unit (standard or rotated mounting)
- **Ceramic or Stainless Steel plunger**
- Aluminium enclosure
- Flow regulation
- Double ball check valve
- Tropicalized three-phase motors



STANDARD MOUNTING

ROTATED MOUNTING

Identification code



Multifunction motor driven plunger metering pump

“PRIUS P MF” - 50 Hz / SINGLE-PHASE SUPPLY

FEATURES

- Multifunction plunger pump with inverter for low power ratings
- Ceramic (SIALOX96) piston and PP pump head or SS (AISI316) pump head and piston
- Double ball check valve
- Aluminium enclosure
- Flow regulation
- Double position of the electronic unit (standard or rotated mounting)
- 50HZ MOTOR: 220-240 V - Δ/Y
- Environment temperature: -10-40 °C (14-104 °F)
- Chemical temperature with SS pump head: -10-90 °C (14-194 °F)*
- Chemical temperature with PP pump head: -10-40 °C (14-104 °F)
- Installation class II
- Pollution level 2
- Audible noise..... 78 dbA (± 5 dB)
- Protection degree IP 55
- Max suction height 3 m
- Oil capacity..... 0,3 lt (Refer to “Lubricant type” table)

* The specified temperature can be exceeded temporarily (max 15') for sterilization or flushing with hot water.

MOTORS

0,18 kW: 3-phase 230 V 1350 rpm
 0,37 kW: 3-phase 230 V 1370 rpm

PRIUS P MF WITH PP PUMP HEAD AND CERAMIC PLUNGER



STANDARD MOUNTING

ROTATED MOUNTING

PRIUS P MF WITH SS PUMP HAED AND PLUNGER



STANDARD MOUNTING

ROTATED MOUNTING

Multifunction motor driven plunger metering pump

PRIUS P MF WITH PP PUMP HEAD AND CERAMIC PLUNGER

PRIUS P MF / PP + CERAMIC								
LENGHT	PLUNGER diameter (mm)	PRIUS P MF	stroke/1'	Pressure bar	Capacity l/h	Motor	HOSES CONNECTION	INSTALLATION KIT
							PP	
15 mm	14	010024	175	10	24	0,18 kW	G1/2" 12x18	A
		010013	94		13			
		010010	70		10			
	25	010080	175	10	80	0,18 kW	G1/2" 12x18	A
		010043	94		43			
		010032	70		32			
	32	010130	175	10	130	0,18 kW	G1/2" 12x18	A
		010070	94		70			
		010052	70		52			
	40	010210	175	10	210	0,37 kW	G3/4" i.d. 18 mm	B
		010113	94		113			
		010084	70		84			
	50	010320	175	10	320	0,37 kW	G3/4" i.d. 18 mm	B
		010172	94		172			
		010128	70		128			

ACCESSORIES

A. INSTALLATION KIT INCLUDED

- 1/2" foot filter with 13 mm (int. diam.) hose fitting
- 3/4" injection valve
- 13 x16 PVDF or 12 X 18 PVC delivery hose
- 13 x16 PVDF or 12 X 18 PVC suction hose

B. INSTALLATION KIT (OPTION)

- 1 1/2" foot filter with 18 mm (int. diam.) hose fitting (G1 1/2" - 18 mm)
- 1 1/2" injection valve

Multifunction motor driven plunger metering pump

PRIUS P MF WITH SS PUMP HEAD AND PLUNGER

PRIUS P MF / SS PUMP HEAD							
LENGHT	PLUNGER diameter (mm)	PRIUS P MF	stroke/1'	Pressure bar	Capacity l/h	Motor	HOSES CONNECTION
							SS
15 mm	14	010024	175	10	24	0,18 kW	R1/2"
		010013	94		13		
		010010	70		10		
	25	010080	175	10	80	0,18 kW	R1/2"
		010043	94		43		
		010032	70		32		
	32	010130	175	10	130	0,18 kW	R1/2"
		010070	94		70		
		010052	70		52		
	40	010210	175	10	210	0,37 kW	R3/4"
		010113	94		113		
		010084	70		84		
	50	010320	175	10	320	0,37 kW	R3/4"
		010172	94		172		
		010128	70		128		

Stainless Steel pump does not fit installation kit.

PRIUS D MF

Data Sheet

Multi-Function motor driven diaphragm metering pump

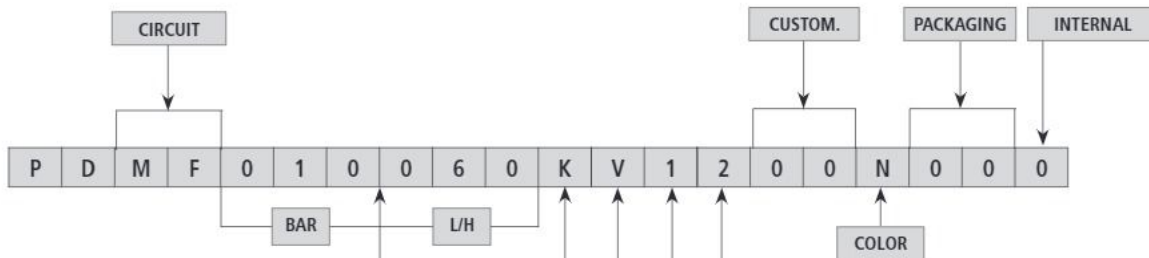
Motor-driven diaphragm dosing pump, mechanical actuated, PRIUS combines efficiency and chemical resistance to a wide capacity range for an extensive number of applications.



- Multifunction motor pump with inverter for low power ratings
- Working mode: Constant, ppm, %, mlq, pause-work, weekly, mA, Volt and Batch
- Level control
- Alarms
- Stand-by
- Double position of the electronic unit (standard or rotated mounting)
- PTFE diaphragm
- Aluminium enclosure
- Spring return mechanism
- Manual degassing valve (PVDF and PP pump heads)
- Flow regulation
- Liquid ends available in different sizes and materials
- Double ball check valve
- Tropicalized motors



Identification code



CAPACITY			
50 Hz		60 Hz	
010060	60 l/h @ 10 bar	010055	55 l/h @ 10 bar
010105	105 l/h @ 10 bar	010027	27 l/h @ 10 bar
007160	160 l/h @ 7 bar	010014	14 l/h @ 7 bar
005240	240 l/h @ 5 bar	010100	100 l/h @ 10 bar
005350	350 l/h @ 5 bar	010050	50 l/h @ 10 bar
005440	440 l/h @ 5 bar	010025	25 l/h @ 10 bar
005530	530 l/h @ 5 bar	007150	150 l/h @ 7 bar
010030	30 l/h @ 10 bar	007075	75 l/h @ 7 bar
010056	56 l/h @ 10 bar	007037	37 l/h @ 7 bar
007086	86 l/h @ 7 bar	005230	230 l/h @ 5 bar
005128	128 l/h @ 5 bar	005115	115 l/h @ 5 bar
005188	188 l/h @ 5 bar	005057	57 l/h @ 5 bar
005236	236 l/h @ 5 bar	005335	335 l/h @ 5 bar
005284	284 l/h @ 5 bar	005165	165 l/h @ 5 bar
010024	24 l/h @ 10 bar	005084	84 l/h @ 5 bar
010042	42 l/h @ 10 bar	005420	420 l/h @ 5 bar
007064	64 l/h @ 7 bar	005210	210 l/h @ 5 bar
005096	96 l/h @ 5 bar	005105	105 l/h @ 5 bar
005140	140 l/h @ 5 bar	005505	505 l/h @ 5 bar
005176	176 l/h @ 5 bar	005250	250 l/h @ 5 bar
005212	212 l/h @ 5 bar	005126	126 l/h @ 5 bar
010012	12 l/h @ 10 bar		
010016	16 l/h @ 10 bar		
010004	4 l/h @ 100 bar		
010002	2 l/h @ 100 bar		
060017	17 l/h @ 60 bar		
060009	9 l/h @ 60 bar		
040028	28 l/h @ 40 bar		
040015	15 l/h @ 40 bar		
030076	76 l/h @ 30 bar		
030041	41 l/h @ 30 bar		
020146	146 l/h @ 20 bar		
020078	78 l/h @ 20 bar		

PUMP HEAD MATERIAL	
K	PVDF
S	SS
P	PP

	MOTOR	POWER SUPPLY	PHASE
1	0,18Kw	220-240 - 50 Hz	3-PHASE
2	0,37Kw	220-240 - 50 Hz	3-PHASE

REDUCTION GEAR	
1	8:1
2	15:1
3	10:1
4	20:1
5	40:1

O RING	
V	FKM B
D	Dutral

LUBRICANT TYPE	
BRAND	MODEL
MOBIL	MOBILGEAR 632
SHELL	OMALA OIL 320
BP	ENERGOL GR-XP 320
IP	MELLANA OIL 320
ESSO	SPARTAN EP 320
AGIP	BLASIA 320



ISO 9001:2008
ISO 14001:2004
OHSAS 18001:2007



Via Donatori di sangue, 1 - 02100 Rieti - Italy
Tel. +39 0746 2284 1 - Fax +39 0746 2284 2 - <http://www.emec.it>

Specifications subject to change without notice.
EN R1-02-16

Multi-Function motor driven diaphragm metering pump

"PRIUS D MF" SERIES - SINGLE PHASE SUPPLY

Features

- Aluminium enclosure (epoxy coating)
- Spring return mechanism
- Power supply: 220-240 V - Δ/Y connection
- Environment temperature: -10-40°C (14-104°F)
- Chemical temperature with PVDF pump head: -10-65°C (14-149°F)*
- Chemical temperature with SS pump head: -10-90°C (14-194°F)*
- Chemical temperature with PP pump head: -10-40°C (14-104°F)
- Installation class II
- Pollution level 2
- Audible noise 78 dbA (± 5 dB)
- Protection degree IP 55
- Max suction height 3 m
- Oil capacity 0,3 lt (Refer to "Lubricant type" table)

High pressure ranges available (SS pump head).

* The specified temperature can be exceeded temporarily (max 15') for sterilization or flushing with hot water.

MOTOR

0,37 kW: 3-phase 230 V 1370 g/min



PVDF PUMP HEAD



SS PUMP HEAD



PP PUMP HEAD

PRIUS D MF

Data Sheet

Multi-Function motor driven diaphragm metering pump

PRIUS D MF - 50 Hz

Power supply..... 220-240 V

PRIUS D MF 50 Hz										
PRIUS D MF	Pressure bar	Capacity l/h	Stroke length	stroke/1'	Motor	HOSE CONNECTION			PUMP HEAD	ACCESSORIES
						PVDF	SS	PP	Model	
010060	10	60	3 mm	175	0,18 kW	1/2" 13 mm (i.d.)	R1/2" G1/2"	1/2" 13 mm (i.d.)	NM	A
010030		30		94						
010024		24		70						
010012		12		35						
010016	10	16	4 mm	35	0,18 kW	1/2" 13 mm (i.d.)	R1/2" G1/2"	1/2" 13 mm (i.d.)	NM	A
010105	10	105	3 mm	175	0,37 kW	3/4" 13 mm (i.d.)	R3/4" G3/4"	3/4" 13 mm (i.d.)	TM	A
010056		56		94						
010042		42		70						
007160	7	160	4 mm	175	0,37 kW	3/4" 13 mm (i.d.)	R3/4" G3/4"	3/4" 13 mm (i.d.)	TM	A
007086		86		94						
007064		64		70						
005240	5	240	6 mm	175	0,37 kW	3/4" 18 mm (i.d.)	R3/4" G3/4"	3/4" 18 mm (i.d.)	UM	B
005128		128		94						
005096		96		70						
005350	5	350	4 mm	175	0,37 kW	G1-1/2" 30 mm (i.d.)	R1"	G1-1/2" 30 mm (i.d.)	UM	C
005188		188		94						
005140		140		70						
005440	5	440	5 mm	175	0,37 kW	G1-1/2" 30 mm (i.d.)	R1"	G1-1/2" 30 mm (i.d.)	UM	C
005236		236		94						
005176		176		70						
005530	5	530	6 mm	175	0,37 kW	G1-1/2" 30 mm (i.d.)	R1"	G1-1/2" 30 mm (i.d.)	UM	C
005284		284		94						
005212		212		70						

ACCESSORIES

A. INSTALLATION KIT INCLUDED

- 1/2" foot filter with 13 mm (int. diam.) hose fitting
- 3/4" injection valve
- 13 x16 PVDF or 12 X 18 PVC delivery hose
- 13 x16 PVDF or 12 X 18 PVC suction hose

B. INSTALLATION KIT (OPTION)

- 1 1/2" foot filter with 18 mm (int. diam.) hose fitting (G1 1/2" - 18 mm)
- 1 1/2" injection valve

C. INSTALLATION KIT (OPTION)

- 1 1/2" foot filter with 30 mm (int. diam.) hose fitting (G1 1/2" - 30 mm)
- 1 1/2" injection valve

Stainless Steel pump does not fit installation kit.

EMEC

ISO 9001:2008
ISO 14001:2004
OHSAS 18001:2007



Via Donatori di sangue, 1 - 02100 Rieti - Italy
Tel. +39 0746 2284 1 - Fax +39 0746 2284 2 - <http://www.emec.it>

Specifications subject to change without notice.
EN R1-02-16

PRIUS D MF

Data Sheet

Multi-Function motor driven diaphragm metering pump

PRIUS D MF - HIGH PRESSURE

Power supply..... 220-240 V

PRIUS D MF 50 Hz / HIGH PRESSURE							
PRIUS D MF	Pressure bar	Capacity l/h	Stroke length	stroke/1'	Motor	HOSE CONNECTION	PUMP HEAD
						SS	Model
100004	100	4	1.5 mm	175	0,37 kW	3/8"	L1
100002		2		94			
060017	60	17	2 mm	175	0,37 kW	1/2"	M1
060009		9		94			
040028	40	28	2 mm	175	0,37 kW	1/2"	N
040015		15		94			
030076	30	76	4 mm	175	0,37 kW	1/2"	S
030041		41		94			
020146	20	146	6 mm	175	0,37 kW	3/4"	T
020078		78		94			