

DW - DW VOX



Submersible pumps for wastewater in AISI 304 stainless steel

Submersible pumps particularly suitable for removing domestic and trade waste, draining pits or excavations, handling contaminated liquids in general, including those containing solid and filamentary substances in suspension, draining sewage water, handling sewage (sanitary fixtures) and draining cesspits. Fitted with single channel or vortex (VOX) impeller and flanged with or without mount (F - FZ)



Possibility to use in fixed and mobile installations

Materials

Pump body	AISI 304
Impeller	AISI 304
Shaft	AISI 303 (part in contact with the liquid)
Mechanical seal	upper in Carbon/Ceramic/NBR (motor side) lower in SiC/SiC/NBR (pump side)

Pipe connections



Threaded
DW
DW VOX



Flanged
DWF
DW VOXF

Technical data

Max. immersion	7 m
Max. temperature of the liquid	40°C
Max. solids passage	50 mm (spherical)
Poles	2
Insulation class	F
Protection degree	IP68
Voltage	Single phase 230V ± 10% Three phase 400V ± 10%

Accessories



Lowering device kit

Page 385 - DW - DW VOX accessories

Lowering device kit for DW complete of fixing bracket, guide hook and fixed base. Available in stainless steel or cast iron, threaded or flanged.



Control panels and Control systems

Page 367 - Control panels

1EP-1 - QA60/C - SMART - QT1

Options



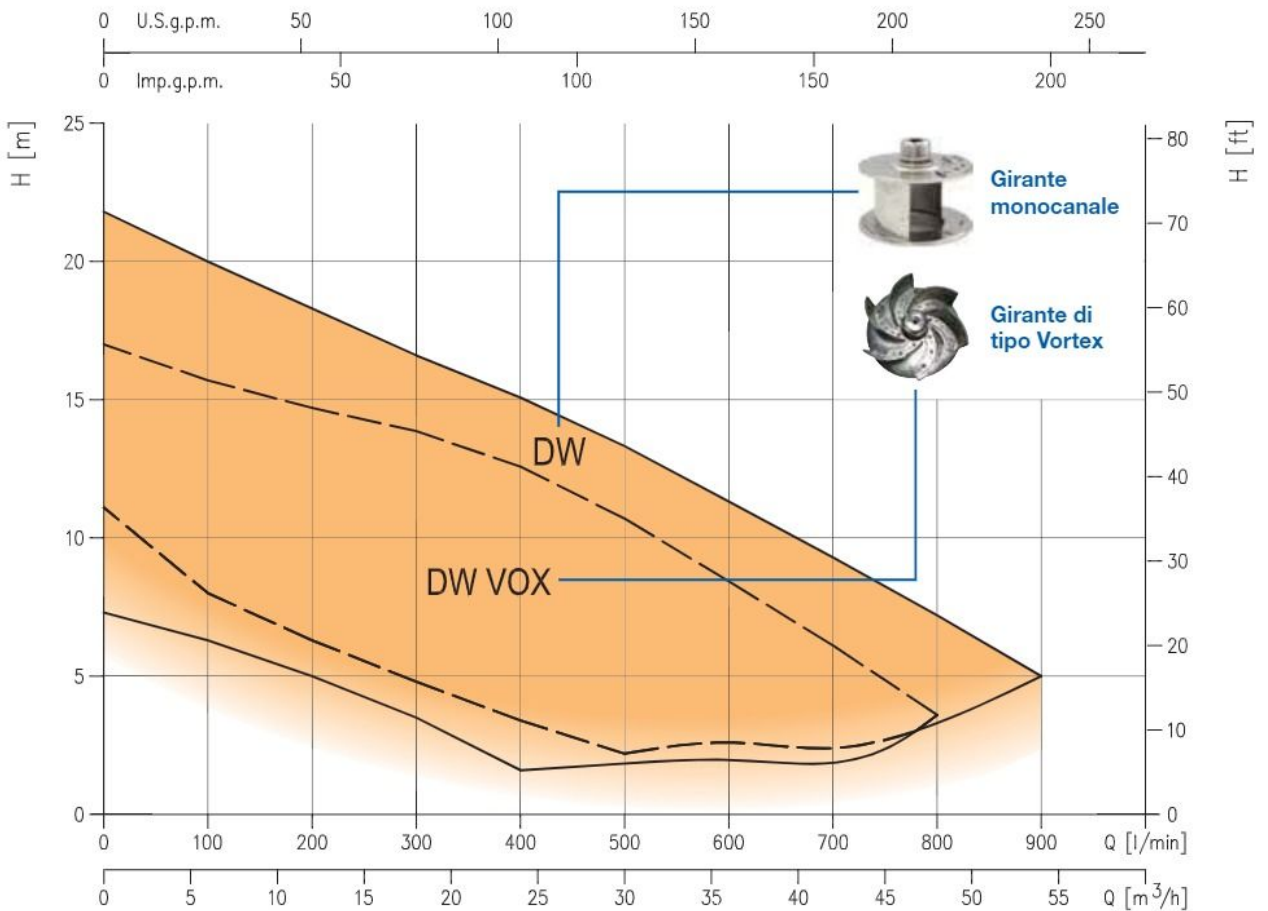
Mechanical seal

Page 391 - U3U3VGG

DW - DW VOX

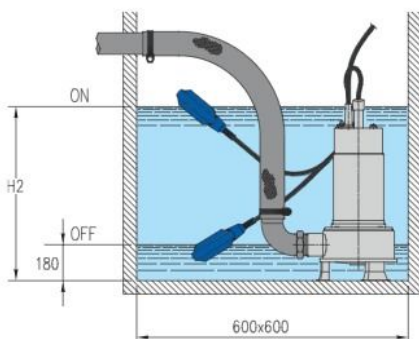


Submersible pumps for wastewater in AISI 304 stainless steel



DW - DW VOX

Installation



DW(F) (VOX) "A" is complete of float, the rest of the range has none

VERSION
- DW M A
- DWF M A
- DW VOX M A
- DW VOXF M A

DW - DW VOX pumps are also available with a float switch. With this option, the flexibility of purpose of these pumps are increased. However, the choice to using the float switch requires minimum installation space to ensure the proper operation of the pump.



DW - DW VOX



Submersible pumps for wastewater in AISI 304 stainless steel

Single phase 230V											2 Poles			
Model	Code	HP	kW	Q=Flow rate								Abs. Curr. [A] 230V	DNM	Weight [kg]
				l/min	100	200	300	400	500	700	900			
				m³/h	6	12	18	24	30	42	54			
H=Total head [m]														
DW M 75	1589030021	0,75	0,55	8,0	6,3	4,8	3,4	2,2	-	-	3,9	G2	15,8	
DW M 75 A	1589031221	0,75	0,55	8,0	6,3	4,8	3,4	2,2	-	-	3,9	G2	16	
DW M 100	1589050021	1	0,75	10,6	8,7	7,1	5,5	4,0	-	-	5,9	G2	17,8	
DW M 100 A	1589051221	1	0,75	10,6	8,7	7,1	5,5	4,0	-	-	5,9	G2	18	
DW M 150	1589070021	1,5	1,1	13,1	11,3	9,5	7,7	5,9	2,4	-	7,3	G2	19,2	
DW M 150 A	1589071221	1,5	1,1	13,1	11,3	9,5	7,7	5,9	2,4	-	7,3	G2	19,4	
DWF M 75	1588030021	0,75	0,55	8,0	6,3	4,8	3,4	2,2	-	-	3,9	DN 50	16,6	
DWF M 75 A	1588031221	0,75	0,55	8,0	6,3	4,8	3,4	2,2	-	-	3,9	DN 50	16,8	
DWF M 100	1588050021	1	0,75	10,6	8,7	7,1	5,5	4,0	-	-	5,9	DN 50	18,6	
DWF M 100 A	1588051221	1	0,75	10,6	8,7	7,1	5,5	4,0	-	-	5,9	DN 50	18,8	
DWF M 150	1588070021	1,5	1,1	13,1	11,3	9,5	7,7	5,9	2,4	-	7,3	DN 50	20	
DWF M 150 A	1588071221	1,5	1,1	13,1	11,3	9,5	7,7	5,9	2,4	-	7,3	DN 50	20,2	
DW VOX M 75	1599030021	0,75	0,55	6,3	5,0	3,5	1,6	-	-	-	3,9	G2	15,4	
DW VOX M 75 A	1599031221	0,75	0,55	6,3	5,0	3,5	1,6	-	-	-	3,9	G2	15,6	
DW VOX M 100	1599050021	1	0,75	7,9	6,7	5,3	3,7	1,9	-	-	5,8	G2	17,4	
DW VOX M 100 A	1599051221	1	0,75	7,9	6,7	5,3	3,7	1,9	-	-	5,8	G2	17,6	
DW VOX M 150	1599070021	1,5	1,1	10,2	9,0	7,6	6,1	4,1	-	-	7,3	G2	18,8	
DW VOX M 150 A	1599071221	1,5	1,1	10,2	9,0	7,6	6,1	4,1	-	-	7,3	G2	19	
DW VOXF M 75	1598030021	0,75	0,55	6,3	5,0	3,5	1,6	-	-	-	3,9	DN 50	16,2	
DW VOXF M 75 A	1598031221	0,75	0,55	6,3	5,0	3,5	1,6	-	-	-	3,9	DN 50	16,4	
DW VOXF M 100	1598050021	1	0,75	7,9	6,7	5,3	3,7	1,9	-	-	5,8	DN 50	18,2	
DW VOXF M 100 A	1598051221	1	0,75	7,9	6,7	5,3	3,7	1,9	-	-	5,8	DN 50	18,4	
DW VOXF M 150	1598070021	1,5	1,1	10,2	9,0	7,6	6,1	4,1	-	-	7,3	DN 50	19,6	
DW VOXF M 150 A	1598071221	1,5	1,1	10,2	9,0	7,6	6,1	4,1	-	-	7,3	DN 50	19,8	

"A" version is complete of float, the rest of the range has none

Three phase 400V											2 Poles			
Model	Code	HP	kW	Q=Flow rate								Abs. Curr. [A] 400V	DNM	Weight [kg]
				l/min	100	200	300	400	500	700	900			
				m³/h	6	12	18	24	30	42	54			
H=Total head [m]														
DW 75	1589030004	0,75	0,55	8,0	6,3	4,8	3,4	2,2	-	-	1,5	G2	15,4	
DW 100	1589050004	1	0,75	10,6	8,7	7,1	5,5	4,0	-	-	2,1	G2	16,8	
DW 150	1589070004	1,5	1,1	13,1	11,3	9,5	7,7	5,9	2,4	-	2,8	G2	18,6	
DW 200	1589080004	2	1,5	16,6	15,0	13,3	11,4	9,5	5,4	-	3,6	G2	20	
DW 300 *	1589090004	3	2,2	20,0	18,3	16,6	15,1	13,3	9,3	5,0	5	G2	25,8	
DWF 75	1588030004	0,75	0,55	8,0	6,3	4,8	3,4	2,2	-	-	1,5	DN 50	16,2	
DWF 100	1588050004	1	0,75	10,6	8,7	7,1	5,5	4,0	-	-	2,1	DN 50	17,6	
DWF 150	1588070004	1,5	1,1	13,1	11,3	9,5	7,7	5,9	2,4	-	2,8	DN 50	19,4	
DWF 200	1588080004	2	1,5	16,6	15,0	13,3	11,4	9,5	5,4	-	3,6	DN 50	20,8	
DWF 300 *	1588090004	3	2,2	20,0	18,3	16,6	15,1	13,3	9,3	5,0	5	DN 50	26,6	
DW VOX 75	1599030004	0,75	0,55	6,3	5,0	3,5	1,6	-	-	-	1,4	G2	15,2	
DW VOX 100	1599050004	1	0,75	7,9	6,7	5,3	3,7	1,9	-	-	2,1	G2	16,4	
DW VOX 150	1599070004	1,5	1,1	10,2	9,0	7,6	6,1	4,1	-	-	2,8	G2	18,1	
DW VOX 200	1599080004	2	1,5	12,5	11,2	9,8	8,3	6,4	1,6	-	3,3	G2	19,6	
DW VOX 300 *	1599090004	3	2,2	15,7	14,7	13,9	12,6	10,7	6,1	-	4,4	G2	25,4	
DW VOXF 75	1598030004	0,75	0,55	6,3	5,0	3,5	1,6	-	-	-	1,4	DN 50	16	
DW VOXF 100	1598050004	1	0,75	7,9	6,7	5,3	3,7	1,9	-	-	2,1	DN 50	17,2	
DW VOXF 150	1598070004	1,5	1,1	10,2	9,0	7,6	6,1	4,1	-	-	2,8	DN 50	18,9	
DW VOXF 200	1598080004	2	1,5	12,5	11,2	9,8	8,3	6,4	1,6	-	3,3	DN 50	20,4	
DW VOXF 300 *	1598090004	3	2,2	15,7	14,7	13,9	12,6	10,7	6,1	-	4,4	DN 50	26,2	

* Equipped with cast iron spacer

DW - DW VOX

D Series



Submersible electric pumps for wastewater in cast iron

Submersible electric pumps particularly suitable for removing domestic and trade waste, sewage treatment, handling contaminated liquids in general, including those containing solid and filamentary substances in suspension, draining seewage water, handling sewage (sanitary fixtures) and draining cesspits.


Selection Table

Model	DS/DSF	DVS	DRS	65DL 51,5 80DL 51,5-53,7 100DL 53,7	100DL 55,5-18,5 150DL 55,5-22 200DL 55,5-22 250DL 57,5-22 300DL 511-22 80-100DLC/DLB 100DLB W/C 5,5-7,5	DL W/C (with cutter)	DML/DMLF	DMLV/DMLVF	DRD
N. Poles	2	2	2	4	4	4	4 (DML) 2 (DMLF)	2, 4, 6	2, 4, 6, 8
Type of fluid	Clear and rain water	Water loaded with suspended solids	Water loaded with suspended solid bodies and filaments	Water loaded with suspended solid bodies and filaments	Water loaded with suspended solids and filaments	Water loaded with suspended solids and filaments	Water loaded with suspended solids	Water loaded with suspended solids	Water loaded with suspended solids
rpm	2850	2850	2850	1450	1450	1450	1450 (DML) 2850 (DMLF)	950, 1450,2850	2850,1450, 950, 750
Impeller	Semi-open, clearance 	Semi-vortex, non-clogging 	Open impeller with suction grinder 	Two-channel open 	Non-clogging, semi-open 	Open single-channel impeller with cutter 	Single-channel impeller 	Vortex impeller 	Double/triple channel impeller 
Max. free passage diameter	5 to 10 mm	21 to 41 mm	6 to 7 mm	46 to 57 mm	46 to 88 mm	46 to 60 mm	76 mm (DML) 30 mm (DMLF 1,1kW) 40 mm (DMLF)	30 to 150 mm	30 to 140 mm