

Lutz Drum and Container Pumps

Pump tube MP-SS (stainless steel) for mixing and pumping of corrosive and neutral liquids

Product detail	Pump tube	MP-SS GLRD				
	Type of impeller:	Rotor				
	Category 1 / 2 (acc. to ATEX)	yes				
	Immersion tube diameter:	up to mm	41			
	Temperature of medium:	up to °C	100			
	Material:	Pump tube	1.4571			
		Rotor	ETFE			
	Hose connection:	Nominal diameter mm	19-32			
		Outer thread	G 1 1/4			
Length: 1000 mm*	Order No.	0151-240				
Length: 1225 mm*	Order No.	0151-255				
*The length complies approx. to dimension C in the dimension table. Special lengths 600–2500 mm on request						
Choice of motors		Operating data				
	MI 4	MI 4-E	Characteristic curve no.	900		
	-	with speed controller	Flow rate ¹	up to l/min.	210	
	Output: 500 W	500 W	Delivery head	up to m wc	10	
	Voltage: 230 V	230 V	Viscosity	up to mPas	350	
Order No.	0030-000	0030-001	Density:	up to kg/dm ³	1.1	
			Weight (kg)	Motor + pump tube	6.0	
	MA II 3		Characteristic curve no.	901		
	Output: 460 W	460 W	Flow rate ¹	up to l/min.	178	
	Voltage: 230 V	230 V	Delivery head	up to m wc	9	
	LVR.: no	yes	Viscosity	up to mPas	200	
	Order No.	0060-000	0060-008	Density:	up to kg/dm ³	1.2
				Weight (kg)	Motor + pump tube	7.8
	MA II 5		MA II 5	MA II 5 S	Characteristic curve no.	902
	Output: 575 W	575 W	575 W	Flow rate ¹	up to l/min.	190
	Voltage: 230 V	230 V	230 V	Delivery head	up to m wc	10
	LVR.: no	yes	no	Viscosity	up to mPas	550
Order No.	0060-001	0060-009	0060-091	Density:	up to kg/dm ³	1.3
			Weight (kg)	Motor + pump tube	8.6	
<p>Low-voltage release (LVR): Prevents the pump from starting up again without warning after a power failure. It is recommended when pumping hazardous liquids.</p>	MA II 7		Characteristic curve no.	903		
	Output: 795 W	795 W	Flow rate ¹	up to l/min.	210	
	Voltage: 230 V	230 V	Delivery head	up to m wc	13	
	LVR.: no	yes	Viscosity	up to mPas	400	
Order No.	0060-002	0060-010	Density:	up to kg/dm ³	1.4	
			Weight (kg)	Motor + pump tube	9.8	
	MD1xL	MD2xL	Characteristic curve no.	904		
	Output: 1000 W	1000 W	Flow rate ¹	up to l/min.	245	
	Operating pressure: 6 bar	6 bar	Delivery head	up to m wc	21	
		infinitely varied	Viscosity	up to mPas	1000	
Order No.	0004-725	0004-735	Density:	up to kg/dm ³	2.8	
			Weight (kg)	Motor + pump tube	4.6	
	B4/GT		Characteristic curve no.	905		
	Output: 750 W	750 W	Flow rate ¹	up to l/min.	140	
	Voltage: 230/400 V	230/400 V	Delivery head	up to m wc	10.5	
	Protection switch	no	yes	Viscosity	up to mPas	400
	Order No.	0004-050	0004-052	Density:	up to kg/dm ³	2.0
			Weight (kg)	Motor + pump tube	15.0	

¹The maximum flow rate is a value determined by means of a test bench and measured with water at a medium temperature of approx. 20°C. The measurement is carried out at the pressure joint of the pump, without hose, nozzle or flow meter. The flow rate achievable in use is lower and depends on the individual application, the media properties and the configuration of the pump. The max. delivery head is also dependent on the pump design, motor and medium. Viscosity determined with oil.

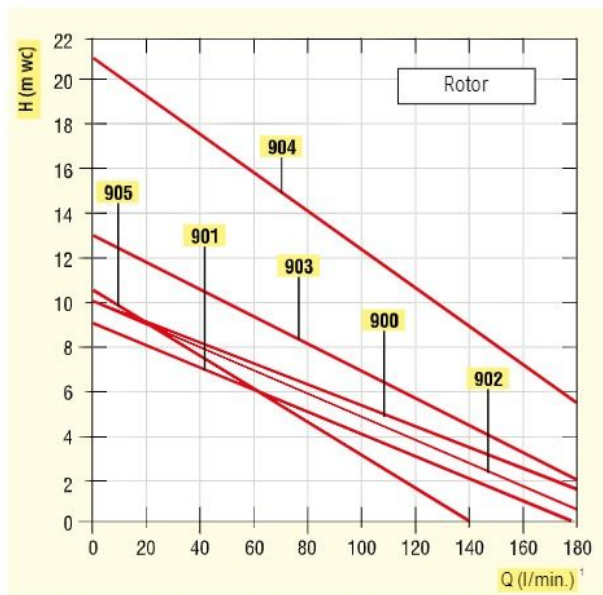
Special voltages and frequencies on request.

Pump Tube MP-SS (stainless steel)

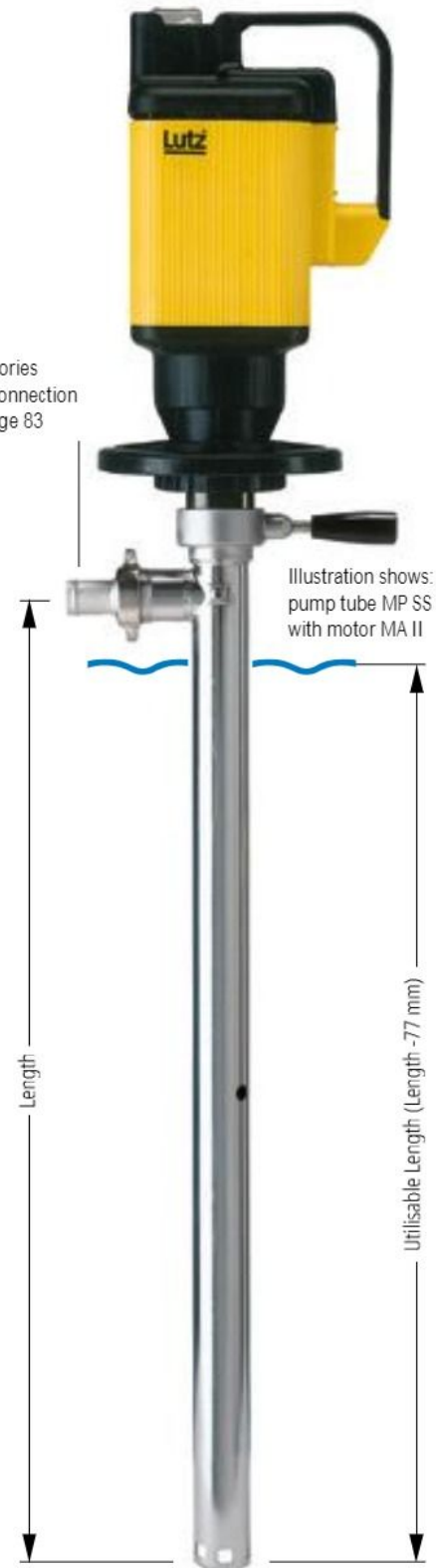
for mixing and pumping of corrosive and neutral liquids

Materials (coming into contact with the pumped medium):

Version:	MS	MS PURE
Housing:	Stainless steel (1.4571)	Stainless steel (1.4571)
Rotor:	ETFE	ETFE
Seals:	FPM (FEP coated)	FPM
Mechanical seals:	Carbon, Ceramic, PTFE, HC-4 (2.4610), Stainless steel 1.4571)	Carbon, Ceramic, PTFE, HC-4 (2.4610), Stainless steel 1.4571)
Bearing:	Pure Carbon	Pure Carbon
Drive shaft:	Stainless steel (1.4571)	Stainless steel (1.4571)



Accessories
hose connection
see page 83



Tip

Which pump for which liquid?
See resistance table



Pump tube also available in PURE version with Tri-Clamp connection. You will find more information in our leaflet: Certified solutions for the food, pharmaceutical and cosmetics Industry (Order-No. 0699-315)




Suitable range of accessories
see pages 80-96

¹The maximum flow rate is a value determined by means of a test bench and measured with water at a medium temperature of approx. 20°C. The measurement is carried out at the pressure joint of the pump, without hose, nozzle or flow meter. The flow rate achievable in use is lower and depends on the individual application, the media properties and the configuration of the pump. The max. delivery head is also dependent on the pump design, motor and medium. Viscosity determined with oil.

Lutz Drum and Container Pumps



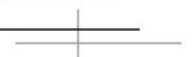
Pump tube MP-SS (stainless steel) for mixing and pumping of highly flammable liquids

Product detail	Pump tube	MP-SS GLRD																																																																																																						
	Type of impeller:	Rotor																																																																																																						
	Category 1 / 2 (acc. to ATEX)	yes																																																																																																						
	Immersion tube diameter:	up to mm	41																																																																																																					
	Temperature of medium:	up to °C	100																																																																																																					
	Material:	Pump tube	1.4571																																																																																																					
		Rotor	ETFE																																																																																																					
	Hose connection:	Nominal diameter mm	19-32																																																																																																					
		Outer thread	G 1 1/4																																																																																																					
	Length: 1000 mm*	Order No.	0151-240																																																																																																					
	Length: 1225 mm*	Order No.	0151-255																																																																																																					
*The length complies approx. to dimension C in the dimension table. Special lengths 600–2500 mm on request																																																																																																								
<table border="1"> <thead> <tr> <th>Choice of motors</th> <th>Operating data</th> </tr> </thead> <tbody> <tr> <td> <table border="1"> <thead> <tr> <th>ME II 3</th> </tr> </thead> <tbody> <tr> <td>Output: 460 W 460 W</td> </tr> <tr> <td>Voltage: 230 V 230 V</td> </tr> <tr> <td>LVR.: yes no</td> </tr> <tr> <td>Order No. 0050-000 0050-016</td> </tr> </tbody> </table> </td> <td> <table border="1"> <tbody> <tr> <td>Characteristic curve no.</td> <td>950</td> </tr> <tr> <td>Flow rate¹ up to l/min.</td> <td>178</td> </tr> <tr> <td>Delivery head up to m wc</td> <td>9</td> </tr> <tr> <td>Viscosity up to mPas</td> <td>200</td> </tr> <tr> <td>Density: up to kg/dm³</td> <td>1.2</td> </tr> <tr> <td>Weight (kg) Motor + pump tube</td> <td>9.0</td> </tr> </tbody> </table> </td> </tr> <tr> <td> <table border="1"> <thead> <tr> <th>ME II 5</th> </tr> </thead> <tbody> <tr> <td>Output: 580 W 580 W</td> </tr> <tr> <td>Voltage: 230 V 230 V</td> </tr> <tr> <td>LVR.: yes no</td> </tr> <tr> <td>Order No. 0050-001 0050-017</td> </tr> </tbody> </table> </td> <td> <table border="1"> <tbody> <tr> <td>Characteristic curve no.</td> <td>951</td> </tr> <tr> <td>Flow rate¹ up to l/min.</td> <td>190</td> </tr> <tr> <td>Delivery head up to m wc</td> <td>10</td> </tr> <tr> <td>Viscosity up to mPas</td> <td>550</td> </tr> <tr> <td>Density: up to kg/dm³</td> <td>1.3</td> </tr> <tr> <td>Weight (kg) Motor + pump tube</td> <td>9.9</td> </tr> </tbody> </table> </td> </tr> <tr> <td> <table border="1"> <thead> <tr> <th>ME II 7</th> </tr> </thead> <tbody> <tr> <td>Output: 795 W 795 W</td> </tr> <tr> <td>Voltage: 230 V 230 V</td> </tr> <tr> <td>LVR.: yes no</td> </tr> <tr> <td>Order No. 0050-002 0050-018</td> </tr> </tbody> </table> </td> <td> <table border="1"> <tbody> <tr> <td>Characteristic curve no.</td> <td>952</td> </tr> <tr> <td>Flow rate¹ up to l/min.</td> <td>210</td> </tr> <tr> <td>Delivery head up to m wc</td> <td>13</td> </tr> <tr> <td>Viscosity up to mPas</td> <td>400</td> </tr> <tr> <td>Density: up to kg/dm³</td> <td>1.4</td> </tr> <tr> <td>Weight (kg) Motor + pump tube</td> <td>11.1</td> </tr> </tbody> </table> </td> </tr> <tr> <td> <table border="1"> <thead> <tr> <th>ME II 8</th> </tr> </thead> <tbody> <tr> <td>Output: 930 W 930 W</td> </tr> <tr> <td>Voltage: 230 V 230 V</td> </tr> <tr> <td>LVR.: yes no</td> </tr> <tr> <td>Order No. 0050-042 0050-041</td> </tr> </tbody> </table> </td> <td> <table border="1"> <tbody> <tr> <td>Characteristic curve no.</td> <td>953</td> </tr> <tr> <td>Flow rate¹ up to l/min.</td> <td>216</td> </tr> <tr> <td>Delivery head up to m wc</td> <td>14.5</td> </tr> <tr> <td>Viscosity up to mPas</td> <td>650</td> </tr> <tr> <td>Density: up to kg/dm³</td> <td>1.4</td> </tr> <tr> <td>Weight (kg) Motor + pump tube</td> <td>11.1</td> </tr> </tbody> </table> </td> </tr> <tr> <td> <table border="1"> <thead> <tr> <th>MD1xL</th> <th>MD2xL</th> </tr> </thead> <tbody> <tr> <td>Output: 1000 W</td> <td>1000 W</td> </tr> <tr> <td>Operating pressure: 6 bar</td> <td>6 bar</td> </tr> <tr> <td></td> <td>infinitely varied</td> </tr> <tr> <td>Order No. 0004-725</td> <td>0004-735</td> </tr> </tbody> </table> </td> <td> <table border="1"> <tbody> <tr> <td>Characteristic curve no.</td> <td>954</td> </tr> <tr> <td>Flow rate¹ up to l/min.</td> <td>245</td> </tr> <tr> <td>Delivery head up to m wc</td> <td>21</td> </tr> <tr> <td>Viscosity up to mPas</td> <td>1000</td> </tr> <tr> <td>Density: up to kg/dm³</td> <td>2.8</td> </tr> <tr> <td>Weight (kg) Motor + pump tube</td> <td>4.6</td> </tr> </tbody> </table> </td> </tr> </tbody> </table>			Choice of motors	Operating data	<table border="1"> <thead> <tr> <th>ME II 3</th> </tr> </thead> <tbody> <tr> <td>Output: 460 W 460 W</td> </tr> <tr> <td>Voltage: 230 V 230 V</td> </tr> <tr> <td>LVR.: yes no</td> </tr> <tr> <td>Order No. 0050-000 0050-016</td> </tr> </tbody> </table>	ME II 3	Output: 460 W 460 W	Voltage: 230 V 230 V	LVR.: yes no	Order No. 0050-000 0050-016	<table border="1"> <tbody> <tr> <td>Characteristic curve no.</td> <td>950</td> </tr> <tr> <td>Flow rate¹ up to l/min.</td> <td>178</td> </tr> <tr> <td>Delivery head up to m wc</td> <td>9</td> </tr> <tr> <td>Viscosity up to mPas</td> <td>200</td> </tr> <tr> <td>Density: up to kg/dm³</td> <td>1.2</td> </tr> <tr> <td>Weight (kg) Motor + pump tube</td> <td>9.0</td> </tr> </tbody> </table>	Characteristic curve no.	950	Flow rate ¹ up to l/min.	178	Delivery head up to m wc	9	Viscosity up to mPas	200	Density: up to kg/dm ³	1.2	Weight (kg) Motor + pump tube	9.0	<table border="1"> <thead> <tr> <th>ME II 5</th> </tr> </thead> <tbody> <tr> <td>Output: 580 W 580 W</td> </tr> <tr> <td>Voltage: 230 V 230 V</td> </tr> <tr> <td>LVR.: yes no</td> </tr> <tr> <td>Order No. 0050-001 0050-017</td> </tr> </tbody> </table>	ME II 5	Output: 580 W 580 W	Voltage: 230 V 230 V	LVR.: yes no	Order No. 0050-001 0050-017	<table border="1"> <tbody> <tr> <td>Characteristic curve no.</td> <td>951</td> </tr> <tr> <td>Flow rate¹ up to l/min.</td> <td>190</td> </tr> <tr> <td>Delivery head up to m wc</td> <td>10</td> </tr> <tr> <td>Viscosity up to mPas</td> <td>550</td> </tr> <tr> <td>Density: up to kg/dm³</td> <td>1.3</td> </tr> <tr> <td>Weight (kg) Motor + pump tube</td> <td>9.9</td> </tr> </tbody> </table>	Characteristic curve no.	951	Flow rate ¹ up to l/min.	190	Delivery head up to m wc	10	Viscosity up to mPas	550	Density: up to kg/dm ³	1.3	Weight (kg) Motor + pump tube	9.9	<table border="1"> <thead> <tr> <th>ME II 7</th> </tr> </thead> <tbody> <tr> <td>Output: 795 W 795 W</td> </tr> <tr> <td>Voltage: 230 V 230 V</td> </tr> <tr> <td>LVR.: yes no</td> </tr> <tr> <td>Order No. 0050-002 0050-018</td> </tr> </tbody> </table>	ME II 7	Output: 795 W 795 W	Voltage: 230 V 230 V	LVR.: yes no	Order No. 0050-002 0050-018	<table border="1"> <tbody> <tr> <td>Characteristic curve no.</td> <td>952</td> </tr> <tr> <td>Flow rate¹ up to l/min.</td> <td>210</td> </tr> <tr> <td>Delivery head up to m wc</td> <td>13</td> </tr> <tr> <td>Viscosity up to mPas</td> <td>400</td> </tr> <tr> <td>Density: up to kg/dm³</td> <td>1.4</td> </tr> <tr> <td>Weight (kg) Motor + pump tube</td> <td>11.1</td> </tr> </tbody> </table>	Characteristic curve no.	952	Flow rate ¹ up to l/min.	210	Delivery head up to m wc	13	Viscosity up to mPas	400	Density: up to kg/dm ³	1.4	Weight (kg) Motor + pump tube	11.1	<table border="1"> <thead> <tr> <th>ME II 8</th> </tr> </thead> <tbody> <tr> <td>Output: 930 W 930 W</td> </tr> <tr> <td>Voltage: 230 V 230 V</td> </tr> <tr> <td>LVR.: yes no</td> </tr> <tr> <td>Order No. 0050-042 0050-041</td> </tr> </tbody> </table>	ME II 8	Output: 930 W 930 W	Voltage: 230 V 230 V	LVR.: yes no	Order No. 0050-042 0050-041	<table border="1"> <tbody> <tr> <td>Characteristic curve no.</td> <td>953</td> </tr> <tr> <td>Flow rate¹ up to l/min.</td> <td>216</td> </tr> <tr> <td>Delivery head up to m wc</td> <td>14.5</td> </tr> <tr> <td>Viscosity up to mPas</td> <td>650</td> </tr> <tr> <td>Density: up to kg/dm³</td> <td>1.4</td> </tr> <tr> <td>Weight (kg) Motor + pump tube</td> <td>11.1</td> </tr> </tbody> </table>	Characteristic curve no.	953	Flow rate ¹ up to l/min.	216	Delivery head up to m wc	14.5	Viscosity up to mPas	650	Density: up to kg/dm ³	1.4	Weight (kg) Motor + pump tube	11.1	<table border="1"> <thead> <tr> <th>MD1xL</th> <th>MD2xL</th> </tr> </thead> <tbody> <tr> <td>Output: 1000 W</td> <td>1000 W</td> </tr> <tr> <td>Operating pressure: 6 bar</td> <td>6 bar</td> </tr> <tr> <td></td> <td>infinitely varied</td> </tr> <tr> <td>Order No. 0004-725</td> <td>0004-735</td> </tr> </tbody> </table>	MD1xL	MD2xL	Output: 1000 W	1000 W	Operating pressure: 6 bar	6 bar		infinitely varied	Order No. 0004-725	0004-735	<table border="1"> <tbody> <tr> <td>Characteristic curve no.</td> <td>954</td> </tr> <tr> <td>Flow rate¹ up to l/min.</td> <td>245</td> </tr> <tr> <td>Delivery head up to m wc</td> <td>21</td> </tr> <tr> <td>Viscosity up to mPas</td> <td>1000</td> </tr> <tr> <td>Density: up to kg/dm³</td> <td>2.8</td> </tr> <tr> <td>Weight (kg) Motor + pump tube</td> <td>4.6</td> </tr> </tbody> </table>	Characteristic curve no.	954	Flow rate ¹ up to l/min.	245	Delivery head up to m wc	21	Viscosity up to mPas	1000	Density: up to kg/dm ³	2.8	Weight (kg) Motor + pump tube	4.6
Choice of motors	Operating data																																																																																																							
<table border="1"> <thead> <tr> <th>ME II 3</th> </tr> </thead> <tbody> <tr> <td>Output: 460 W 460 W</td> </tr> <tr> <td>Voltage: 230 V 230 V</td> </tr> <tr> <td>LVR.: yes no</td> </tr> <tr> <td>Order No. 0050-000 0050-016</td> </tr> </tbody> </table>	ME II 3	Output: 460 W 460 W	Voltage: 230 V 230 V	LVR.: yes no	Order No. 0050-000 0050-016	<table border="1"> <tbody> <tr> <td>Characteristic curve no.</td> <td>950</td> </tr> <tr> <td>Flow rate¹ up to l/min.</td> <td>178</td> </tr> <tr> <td>Delivery head up to m wc</td> <td>9</td> </tr> <tr> <td>Viscosity up to mPas</td> <td>200</td> </tr> <tr> <td>Density: up to kg/dm³</td> <td>1.2</td> </tr> <tr> <td>Weight (kg) Motor + pump tube</td> <td>9.0</td> </tr> </tbody> </table>	Characteristic curve no.	950	Flow rate ¹ up to l/min.	178	Delivery head up to m wc	9	Viscosity up to mPas	200	Density: up to kg/dm ³	1.2	Weight (kg) Motor + pump tube	9.0																																																																																						
ME II 3																																																																																																								
Output: 460 W 460 W																																																																																																								
Voltage: 230 V 230 V																																																																																																								
LVR.: yes no																																																																																																								
Order No. 0050-000 0050-016																																																																																																								
Characteristic curve no.	950																																																																																																							
Flow rate ¹ up to l/min.	178																																																																																																							
Delivery head up to m wc	9																																																																																																							
Viscosity up to mPas	200																																																																																																							
Density: up to kg/dm ³	1.2																																																																																																							
Weight (kg) Motor + pump tube	9.0																																																																																																							
<table border="1"> <thead> <tr> <th>ME II 5</th> </tr> </thead> <tbody> <tr> <td>Output: 580 W 580 W</td> </tr> <tr> <td>Voltage: 230 V 230 V</td> </tr> <tr> <td>LVR.: yes no</td> </tr> <tr> <td>Order No. 0050-001 0050-017</td> </tr> </tbody> </table>	ME II 5	Output: 580 W 580 W	Voltage: 230 V 230 V	LVR.: yes no	Order No. 0050-001 0050-017	<table border="1"> <tbody> <tr> <td>Characteristic curve no.</td> <td>951</td> </tr> <tr> <td>Flow rate¹ up to l/min.</td> <td>190</td> </tr> <tr> <td>Delivery head up to m wc</td> <td>10</td> </tr> <tr> <td>Viscosity up to mPas</td> <td>550</td> </tr> <tr> <td>Density: up to kg/dm³</td> <td>1.3</td> </tr> <tr> <td>Weight (kg) Motor + pump tube</td> <td>9.9</td> </tr> </tbody> </table>	Characteristic curve no.	951	Flow rate ¹ up to l/min.	190	Delivery head up to m wc	10	Viscosity up to mPas	550	Density: up to kg/dm ³	1.3	Weight (kg) Motor + pump tube	9.9																																																																																						
ME II 5																																																																																																								
Output: 580 W 580 W																																																																																																								
Voltage: 230 V 230 V																																																																																																								
LVR.: yes no																																																																																																								
Order No. 0050-001 0050-017																																																																																																								
Characteristic curve no.	951																																																																																																							
Flow rate ¹ up to l/min.	190																																																																																																							
Delivery head up to m wc	10																																																																																																							
Viscosity up to mPas	550																																																																																																							
Density: up to kg/dm ³	1.3																																																																																																							
Weight (kg) Motor + pump tube	9.9																																																																																																							
<table border="1"> <thead> <tr> <th>ME II 7</th> </tr> </thead> <tbody> <tr> <td>Output: 795 W 795 W</td> </tr> <tr> <td>Voltage: 230 V 230 V</td> </tr> <tr> <td>LVR.: yes no</td> </tr> <tr> <td>Order No. 0050-002 0050-018</td> </tr> </tbody> </table>	ME II 7	Output: 795 W 795 W	Voltage: 230 V 230 V	LVR.: yes no	Order No. 0050-002 0050-018	<table border="1"> <tbody> <tr> <td>Characteristic curve no.</td> <td>952</td> </tr> <tr> <td>Flow rate¹ up to l/min.</td> <td>210</td> </tr> <tr> <td>Delivery head up to m wc</td> <td>13</td> </tr> <tr> <td>Viscosity up to mPas</td> <td>400</td> </tr> <tr> <td>Density: up to kg/dm³</td> <td>1.4</td> </tr> <tr> <td>Weight (kg) Motor + pump tube</td> <td>11.1</td> </tr> </tbody> </table>	Characteristic curve no.	952	Flow rate ¹ up to l/min.	210	Delivery head up to m wc	13	Viscosity up to mPas	400	Density: up to kg/dm ³	1.4	Weight (kg) Motor + pump tube	11.1																																																																																						
ME II 7																																																																																																								
Output: 795 W 795 W																																																																																																								
Voltage: 230 V 230 V																																																																																																								
LVR.: yes no																																																																																																								
Order No. 0050-002 0050-018																																																																																																								
Characteristic curve no.	952																																																																																																							
Flow rate ¹ up to l/min.	210																																																																																																							
Delivery head up to m wc	13																																																																																																							
Viscosity up to mPas	400																																																																																																							
Density: up to kg/dm ³	1.4																																																																																																							
Weight (kg) Motor + pump tube	11.1																																																																																																							
<table border="1"> <thead> <tr> <th>ME II 8</th> </tr> </thead> <tbody> <tr> <td>Output: 930 W 930 W</td> </tr> <tr> <td>Voltage: 230 V 230 V</td> </tr> <tr> <td>LVR.: yes no</td> </tr> <tr> <td>Order No. 0050-042 0050-041</td> </tr> </tbody> </table>	ME II 8	Output: 930 W 930 W	Voltage: 230 V 230 V	LVR.: yes no	Order No. 0050-042 0050-041	<table border="1"> <tbody> <tr> <td>Characteristic curve no.</td> <td>953</td> </tr> <tr> <td>Flow rate¹ up to l/min.</td> <td>216</td> </tr> <tr> <td>Delivery head up to m wc</td> <td>14.5</td> </tr> <tr> <td>Viscosity up to mPas</td> <td>650</td> </tr> <tr> <td>Density: up to kg/dm³</td> <td>1.4</td> </tr> <tr> <td>Weight (kg) Motor + pump tube</td> <td>11.1</td> </tr> </tbody> </table>	Characteristic curve no.	953	Flow rate ¹ up to l/min.	216	Delivery head up to m wc	14.5	Viscosity up to mPas	650	Density: up to kg/dm ³	1.4	Weight (kg) Motor + pump tube	11.1																																																																																						
ME II 8																																																																																																								
Output: 930 W 930 W																																																																																																								
Voltage: 230 V 230 V																																																																																																								
LVR.: yes no																																																																																																								
Order No. 0050-042 0050-041																																																																																																								
Characteristic curve no.	953																																																																																																							
Flow rate ¹ up to l/min.	216																																																																																																							
Delivery head up to m wc	14.5																																																																																																							
Viscosity up to mPas	650																																																																																																							
Density: up to kg/dm ³	1.4																																																																																																							
Weight (kg) Motor + pump tube	11.1																																																																																																							
<table border="1"> <thead> <tr> <th>MD1xL</th> <th>MD2xL</th> </tr> </thead> <tbody> <tr> <td>Output: 1000 W</td> <td>1000 W</td> </tr> <tr> <td>Operating pressure: 6 bar</td> <td>6 bar</td> </tr> <tr> <td></td> <td>infinitely varied</td> </tr> <tr> <td>Order No. 0004-725</td> <td>0004-735</td> </tr> </tbody> </table>	MD1xL	MD2xL	Output: 1000 W	1000 W	Operating pressure: 6 bar	6 bar		infinitely varied	Order No. 0004-725	0004-735	<table border="1"> <tbody> <tr> <td>Characteristic curve no.</td> <td>954</td> </tr> <tr> <td>Flow rate¹ up to l/min.</td> <td>245</td> </tr> <tr> <td>Delivery head up to m wc</td> <td>21</td> </tr> <tr> <td>Viscosity up to mPas</td> <td>1000</td> </tr> <tr> <td>Density: up to kg/dm³</td> <td>2.8</td> </tr> <tr> <td>Weight (kg) Motor + pump tube</td> <td>4.6</td> </tr> </tbody> </table>	Characteristic curve no.	954	Flow rate ¹ up to l/min.	245	Delivery head up to m wc	21	Viscosity up to mPas	1000	Density: up to kg/dm ³	2.8	Weight (kg) Motor + pump tube	4.6																																																																																	
MD1xL	MD2xL																																																																																																							
Output: 1000 W	1000 W																																																																																																							
Operating pressure: 6 bar	6 bar																																																																																																							
	infinitely varied																																																																																																							
Order No. 0004-725	0004-735																																																																																																							
Characteristic curve no.	954																																																																																																							
Flow rate ¹ up to l/min.	245																																																																																																							
Delivery head up to m wc	21																																																																																																							
Viscosity up to mPas	1000																																																																																																							
Density: up to kg/dm ³	2.8																																																																																																							
Weight (kg) Motor + pump tube	4.6																																																																																																							

Low-voltage release (LVR): Prevents the pump from starting up again without warning after a power failure. In the hazardous location, motors with low-voltage release are absolutely prescribed.

¹The maximum flow rate is a value determined by means of a test bench and measured with water at a medium temperature of approx. 20°C. The measurement is carried out at the pressure joint of the pump, without hose, nozzle or flow meter. The flow rate achievable in use is lower and depends on the individual application, the media properties and the configuration of the pump. The max. delivery head is also dependent on the pump design, motor and medium. Viscosity determined with oil.

Special voltages and frequencies on request

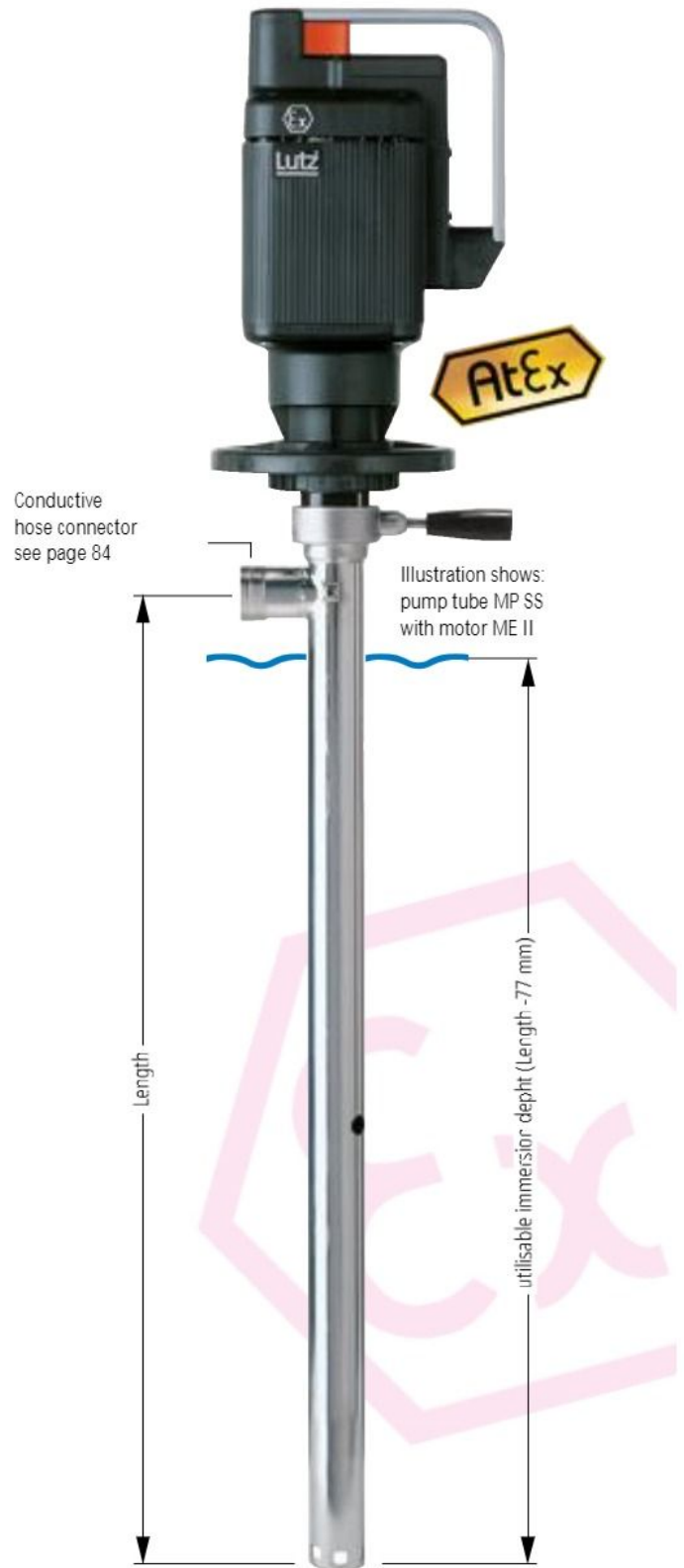
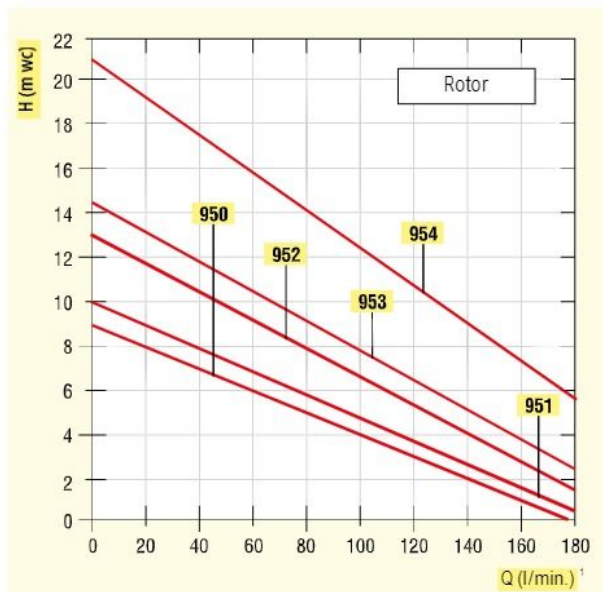


Pump Tube MP-SS (stainless steel)

for mixing and pumping of highly flammable liquids

Materials (coming into contact with the pumped medium):

Version:	MS	MS PURE
Housing:	Stainless steel (1.4571)	Stainless steel (1.4571)
Rotor:	ETFE	ETFE
Seals:	FPM (FEP coated)	FPM
Mechanical seals:	Carbon, Ceramic, PTFE, HC-4 (2.4610), Stainless steel 1.4571)	Carbon, Ceramic, PTFE, HC-4 (2.4610), Stainless steel 1.4571)
Bearing:	Pure Carbon	Pure Carbon
Drive shaft:	Stainless steel (1.4571)	Stainless steel (1.4571)



Pump tube also available in PURE version with Tri-Clamp connection. You will find more information in our leaflet: Certified solutions for the food, pharmaceutical and cosmetics Industry (Order-No. 0699-315)



Suitable range of accessories see pages 80-96

¹The maximum flow rate is a value determined by means of a test bench and measured with water at a medium temperature of approx. 20°C. The measurement is carried out at the pressure joint of the pump, without hose, nozzle or flow meter. The flow rate achievable in use is lower and depends on the individual application, the media properties and the configuration of the pump. The max. delivery head is also dependent on the pump design, motor and medium. Viscosity determined with oil.