

CMA - B - C - D



Single impeller centrifugal pumps in cast iron

Cast iron single-impeller centrifugal pumps suitable for domestic water system boosting, small-scale irrigation, handling non-aggressive liquids for residential, commercial and industrial use, washing systems and vehicle washing.



Available with brass impeller

Materials

Pump body	Cast iron
Impeller	<ul style="list-style-type: none"> - in PPE+PS reinforced with fibreglass for CMA 0.50-0.75-1.00 - in brass for CMA 1.50-2.00-3.00 CMB 2.00-3.00-4.00-5.50 - in cast iron for CMB 0.75-1.00-1.50, CMC, CMD
Shaft	<ul style="list-style-type: none"> - in AISI 416 (integral) for CMA 0.50 - in AISI 303 (part in contact with the liquid) for CMA 0.75-1.00-1.50-2.00-3.00 CMB 0.75-1.00-1.50-2.00-3.00 CMC 0.75-1.00, CMD 1.50-2.00-3.00 - in AISI 304 (part in contact with the liquid) for CMB 4.00-5.50
Mechanical seal	Ceramic/Carbon/NBR (standard)
Motor support	<ul style="list-style-type: none"> - in aluminium for CMA 0.50-0.75-1.00 CMB 0.75-1.00 CMC 0.75-1.00 - in cast iron for the rest of the range

Technical data

Max. working pressure	6 bar for CMA 0.50-0.75-1.00 CMB 0.75-1.00-1.50-2.00-3.00 CMC, CMD 8 bar for CMA 1.50-2.00-3.00 CMB 4.00-5.50
Max. temperature of the liquid	40°C for CMA 0.50-0.75-1.00 90°C for the rest of the range
MEI	> 0,4
Poles	2
Insulation class	F
Protection degree	IP44
Voltage	Single phase 230V ±10% Three phase 230/400V ±10%

Accessories



Tanks

Page 384 - 8/10 bar 5/10 litres tanks



Floats

Page 379 - **Key floats with counterweight**



Pressure switches

Page 379 - 1,3÷12 bar pressure switches



Control panels and Control systems

Page 366 - **Presscomfort**

Pressure regulator

Page 364 - **E-power**

Variable speed control systems

Page 362 - **E-drive**

Variable speed control systems

Page 367 - **Control panels**

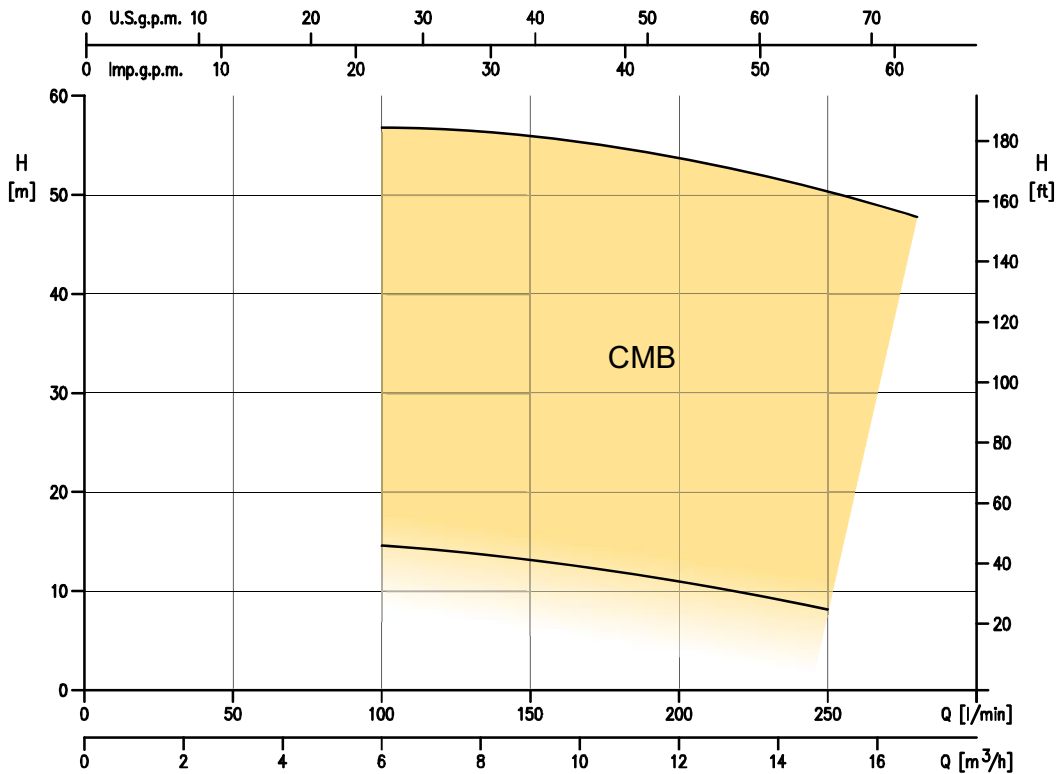
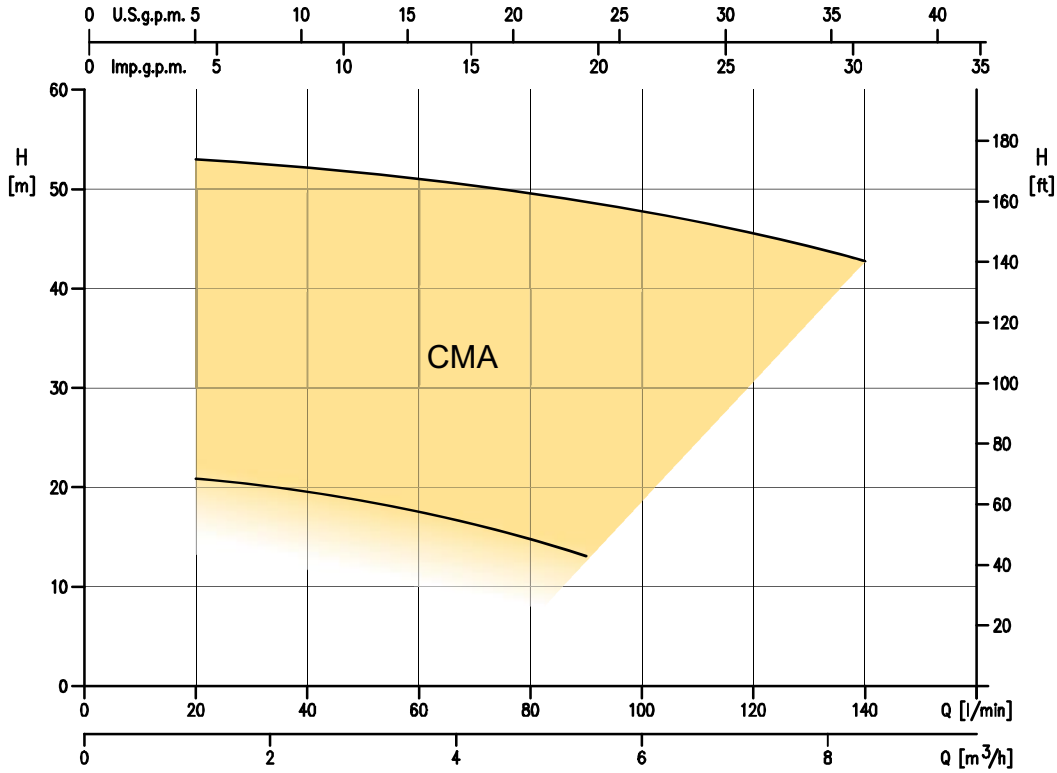
1EP-E - QA50/B - QA60/C - SMART

CMA - B - C - D

Single impeller centrifugal pumps in cast iron

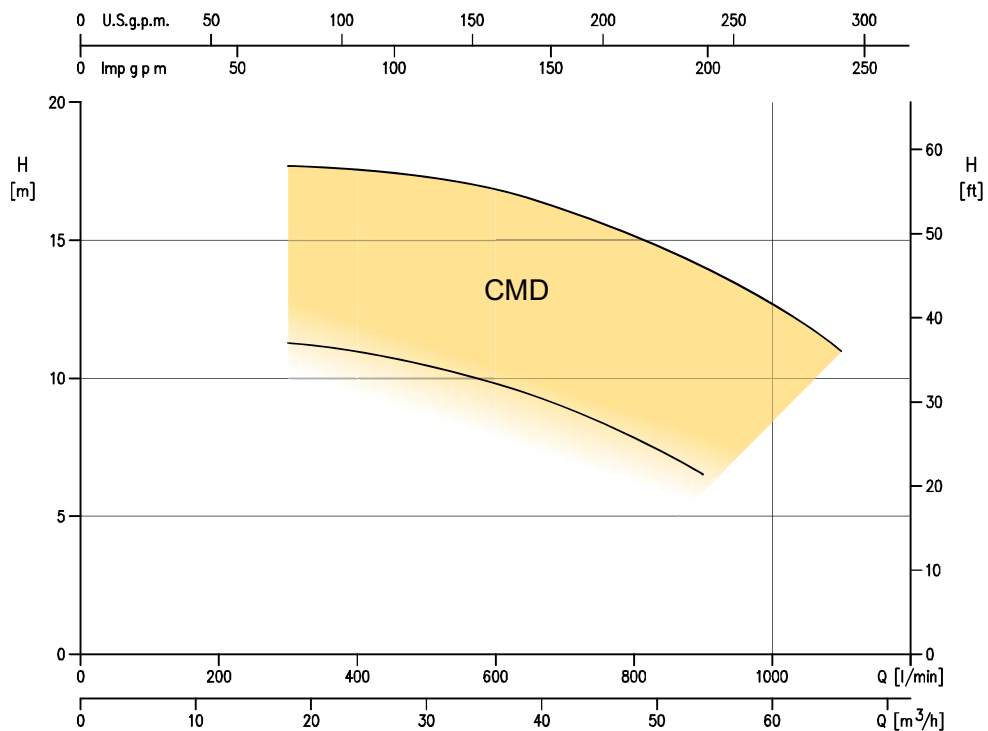
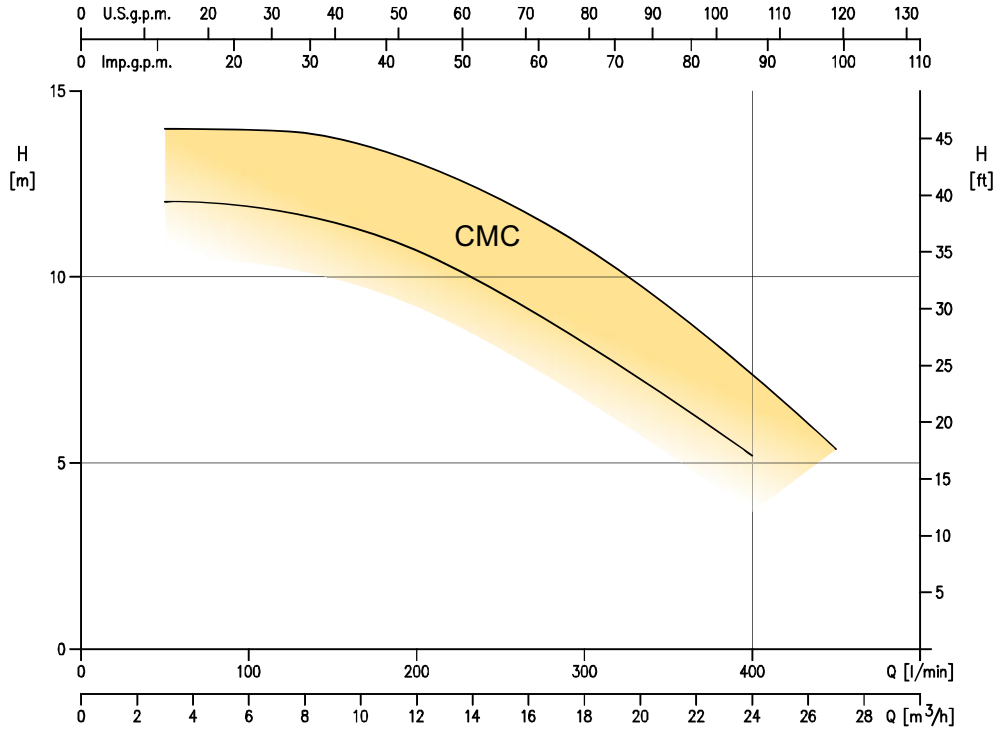


CMA - B - C - D



CMA - B - C - D

Single impeller centrifugal pumps in cast iron



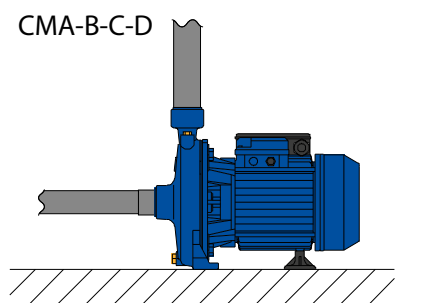
CMA - B - C - D

Single impeller centrifugal pumps in cast iron



CMA - B - C - D

Installation



CM series centrifugal pumps, thanks to their reduced dimensions, result easy to install also in that situations where space are small or difficult to reach. Its sturdy and reliable construction, provide high performance in the application where, as a the water distribution, long - life working without a demanding maintenance is required.

Single phase 230V													2 Poles			
Model	Code	HP	kW	Q=Flow rate								Abs. Curr. [A] 230V	DNA	DNM	Weight [kg]	
				l/min	20	40	60	80	85	90	110					120
				m ³ /h	1,2	2,4	3,6	4,8	5,1	5,4	6,6	7,2				
				H=Total head [m]												
CMA 0,50 M	1160050000	0,5	0,37	20,9	19,5	17,6	14,9	14,0	13,1	-	-	3,2	G1	G1	7,2	
CMA 0,50 M GO	1160050100	0,5	0,37	20,9	19,5	17,6	14,9	14,0	13,1	-	-	3,2	G1	G1	7,2	
CMA/A 0,75 M	1160090000A	0,75	0,55	29,7	27,8	24,9	21,1	20,2	-	-	-	4,7	G1	G1	10,3	
CMA/A 0,75 M GO	1160090100A	0,75	0,55	29,7	27,8	24,9	21,1	20,2	-	-	-	4,7	G1	G1	10,3	
CMA 1,00 M	1160100000	1	0,75	33,0	31,9	29,9	26,6	25,6	24,6	-	-	6,2	G1	G1	11,5	
CMA 1,00 M GO	1160100100	1	0,75	33,0	31,9	29,9	26,6	25,6	24,6	-	-	6,2	G1	G1	11,5	
CMA/B 1,50 M	1160150000B	1,5	1,1	39,5	39,0	38,3	37,0	36,5	36,1	34,5	-	8	G1½	G1	19,5	
CMA/A 2,00 M	1160200000A	2	1,5	47,5	47,0	46,0	45,0	45,0	44,5	43,0	42,0	10,3	G1½	G1	22,8	

GO= Version with brass impeller

Single phase 230V													2 Poles		
Model	Code	HP	kW	Q=Flow rate					Abs. Curr. [A] 230V	DNA	DNM	Weight [kg]			
				l/min	100	150	200	250					280		
				m ³ /h	6	9	12	15,1	16,9						
				H=Total head [m]											
CMB 0,75 M	1170090000	0,75	0,55	14,6	13,2	10,9	81,0	-	4,5	G2	G1¼	11,6			
CMB 1,00 M	1170100000	1	0,75	18,6	17,5	15,7	13,1	-	6	G2	G1¼	13,7			
CMB/B 1,50 M	1170150000B	1,5	1,1	22,5	21,6	20,0	17,8	16,2	8,2	G2	G1¼	19,9			
CMB/A 2,00 M	1170200000A	2	1,5	30,8	29,7	28,0	25,4	23,6	10,3	G2	G1¼	21,0			

Single phase 230V													2 Poles		
Model	Code	HP	kW	Q=Flow rate						Abs. Curr. [A] 230V	DNA	DNM	Weight [kg]		
				l/min	50	100	200	300	400					450	
				m ³ /h	3	6	12	18,1	24,1	27,1					
				H=Total head [m]											
CMC 0,75 M	1180090000	0,75	0,55	12,0	11,9	10,7	8,3	5,2	-	4,2	G2	G2	11,6		
CMC 1,00 M	1180100000	1	0,75	14,0	14,0	13,1	10,8	7,4	5,4	5,3	G2	G2	13,0		

Single phase 230V													2 Poles		
Model	Code	HP	kW	Q=Flow rate							Abs. Curr. [A] 230V	DNA	DNM	Weight [kg]	
				l/min	250	400	600	800	900	950					1000
				m ³ /h	18	24	36	48	54	57	60				
				H=Total head [m]											
CMD/B 1,50 M	1190150000B	1,5	1,1	11,3	11,0	9,8	7,8	6,5	-	-	8,5	G2½	G2½	21,3	
CMD/A 2,00 M	1190200000A	2	1,5	13,1	12,9	12,0	10,2	9,0	8,4	-	10,3	G2½	G2½	23,0	

CMA - B - C - D

Single impeller centrifugal pumps in cast iron



Three phase 230/400V													2 Poles				
Model	Code	HP	kW	Q=Flow rate								Abs. Curr. [A]		DNA	DNM	Weight [kg]	
				l/min	20	40	60	80	85	90	110	120	230V				400V
				m ³ /h	1,2	2,4	3,6	4,8	5,1	5,4	6,6	7,2					
H=Total head [m]																	
CMA 0,50 T	1160050004	0,5	0,37	20,9	19,5	17,6	14,9	14,0	13,1	-	-	2,4	1,4	G1	G1	7,1	
CMA 0,50 T GO	1160050104	0,5	0,37	20,9	19,5	17,6	14,9	14,0	13,1	-	-	2,4	1,4	G1	G1	7,1	
CMA/A 0,75 T	1160090004A	0,75	0,55	29,7	27,8	24,9	21,1	20,2	-	-	-	3,2	1,8	G1	G1	10,2	
CMA/A 0,75 T GO	1160090104A	0,75	0,55	29,7	27,8	24,9	21,1	20,2	-	-	-	3,2	1,8	G1	G1	10,2	
CMA/I 1,00 T	1160100004I	1	0,75	33,0	31,9	29,9	26,6	25,6	24,6	-	-	3,3	1,9	G1	G1	11,6	
CMA/I 1,00 T GO	1160100104I	1	0,75	33,0	31,9	29,9	26,6	25,6	24,6	-	-	3,3	1,9	G1	G1	11,6	
CMA/I 1,50 T	1160150004I	1,5	1,1	39,5	39,0	38,3	37,0	36,5	36,1	34,5	-	5,8	3,3	G1¼	G1	20,8	
CMA/I 2,00 T	1160200004I	2	1,5	47,5	47,0	46,0	45,0	45,0	44,5	43,0	42,0	7,6	4,4	G1¼	G1	24,3	
CMA/I 3,00 T	1160300004I	3	2,2	53,0	52,5	51,0	49,5	49,0	49,0	46,5	45,5	8,5	4,9	G1¼	G1	24,3	

GO= Version with brass impeller

Three phase 230/400V													2 Poles			
Model	Code	HP	kW	Q=Flow rate					Abs. Curr. [A]		DNA	DNM	Weight [kg]			
				l/min	100	150	200	250	280	230V				400V		
				m ³ /h	6	9	12	15,1	16,9							
H=Total head [m]																
CMB 0,75 T	1170090004	0,75	0,55	14,6	13,2	10,9	8,1	8,0	-	3,0	1,7	G2	G1¼	11,6		
CMB/I 1,00 T	1170100004I	1	0,75	18,6	17,5	15,7	13,1	13,1	-	3,5	2,0	G2	G1¼	13,7		
CMB/I 1,50 T	1170150004I	1,5	1,1	22,5	21,6	20,0	17,8	16,2	16,2	5,8	3,3	G2	G1¼	20,4		
CMB/I 2,00 T	1170200004I	2	1,5	30,8	29,7	28,0	25,4	23,6	23,6	7,1	4,1	G2	G1¼	22,9		
CMB/I 3,00 T	1170300004I	3	2,2	35,4	34,4	32,7	30,2	28,5	28,5	8,2	4,7	G2	G1¼	22,2		
CMB/I 4,00 T	1170400004I	4	3	45,5	44,0	42,0	37,8	36,2	36,2	11,1	6,4	G2	G1¼	37,7		
CMB/I 5,50 T	1170550004I	5,5	4	57,0	56,0	53,5	50,5	48,0	48,0	15,6	9,0	G2	G1¼	43,4		

Three phase 230/400V													2 Poles			
Model	Code	HP	kW	Q=Flow rate						Abs. Curr. [A]		DNA	DNM	Weight [kg]		
				l/min	50	100	200	300	400	450	230V				400V	
				m ³ /h	3	6	12	18,1	24,1	27,1						
H=Total head [m]																
CMC 0,75 T	1180090004	0,75	0,55	12,0	11,9	10,7	8,3	5,2	-	2,8	1,6	G2	G2	11,6		
CMC/I 1,00 T	1180100004I	1	0,75	14,0	14,0	13,1	10,8	7,4	5,4	3,0	1,7	G2	G2	13,8		

Three phase 230/400V													2 Poles			
Model	Code	HP	kW	Q=Flow rate						Abs. Curr. [A]		DNA	DNM	Weight [kg]		
				l/min	250	400	600	800	900	950	1000				230V	400V
				m ³ /h	18	24	36	48	54	57	60					
H=Total head [m]																
CMD/I 1,50 T	1190150004I	1,5	1,1	11,3	11,0	9,8	7,8	6,5	-	-	5,8	3,3	G2½	G2½	23,1	
CMD/I 2,00 T	1190200004I	2	1,5	13,1	12,9	12,0	10,2	9,0	8,4	-	7,1	4,1	G2½	G2½	24,2	
CMD/I 3,00 T	1190300004I	3	2,2	16,1	15,8	15,0	13,1	11,9	11,2	10,4	8,2	4,7	G2½	G2½	23,9	