



Application

- Can be used to transfer clean water or other liquids similar to water in physical and chemical properties
- Suitable for small living water supply, automatic water sprinkler system, small air conditioner system or supporting equipment etc.

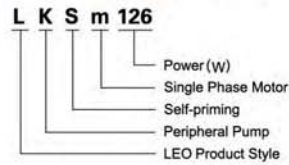
Pump

- Special anti-rust treatment
- Brass impeller
- AISI 304 shaft
- Max. liquid temperature: +60°C
- Max. suction: +8 m

Motor

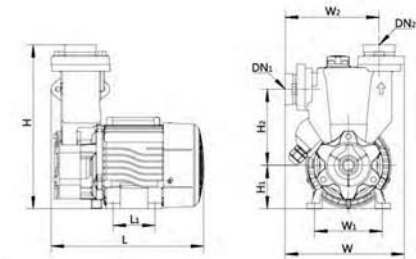
- C&U bearing
- Copper winding
- Built-in thermal protector
- Insulation class: F
- Protection class: IPX4
- Max. ambient temperature: +40°C

Identification Codes



Technical Data

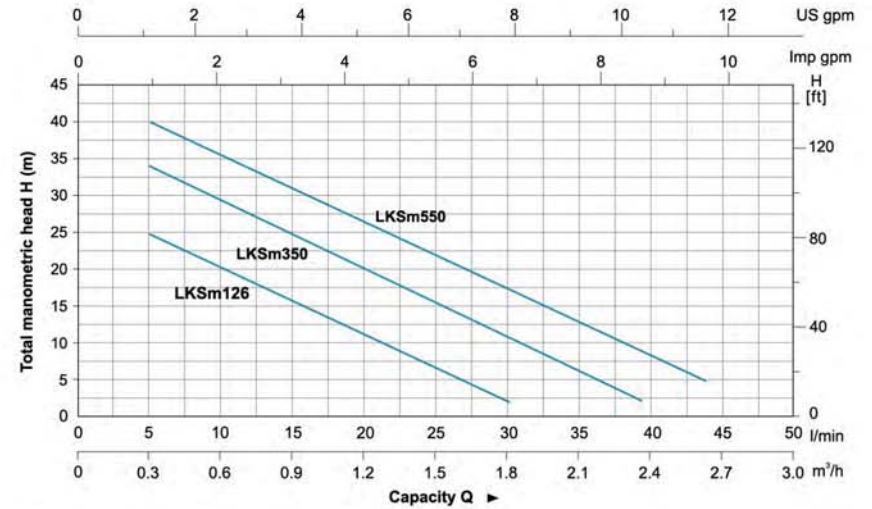
MODEL	POWER		Q (m ³ /h)										
	kW	HP	0	0.3	0.6	0.9	1.2	1.5	1.8	2.1	2.4	2.7	
LKSm126	0.125	0.17	30	25	20.5	16	12	8	4	-	-	-	
LKSm350	0.35	0.47	35	32	28	24	20	16	12	8	4	-	
LKSm550	0.55	0.75	45	40	35	30	25	20.5	16	12	8	4	



Dimension

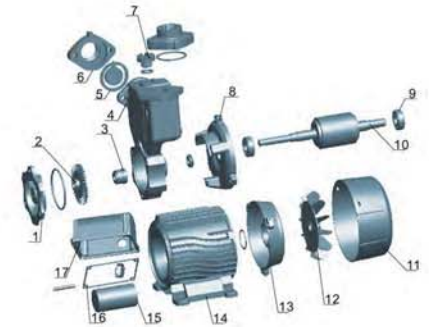
Model	DN1	DN2	L (mm)	W (mm)	H (mm)	L ₁ (mm)	W ₁ (mm)	W ₂ (mm)	H ₁ (mm)	H ₂ (mm)
LKSm126			215	170	220	60	97	140	63	88.5
LKSm350	1"	1"	215	175	245	60	97	142	63	110
LKSm550			260	186	260	90	112	152	75	113.5

Hydraulic Performance Curves



Materials Table

No.	Part	Material
1	Pump bonnet	Brass/Cast iron
2	Impeller	Brass
3	Mechanical seal	Carbon/Ceramic
4	Pump body	HT200
5	Check valve	NBR
6	Outlet connector	HT200
7	Filling plug	Brass
8	Front plate	HT200
9	Bearing	
10	Rotor	
11	Fan cover	PP
12	Fan	PP
13	Rear cover	ZL 102
14	Stator	
15	Capacitor	
16	Sealing ring	NBR
17	Terminal box	ABS



Package Information

Model	GW (Kgs)	L (mm)	W (mm)	H (mm)	Quantity (PCS/20 TEU)
LKSm126	6.6	250	205	250	2205
LKSm350	7.8	250	205	270	1960
LKSm550	10.6	295	210	290	1526

