



Application

- Small electrical irrigation and drainage equipments
- Particularly applied in urban well water pumping, field irrigation and drainage, garden irrigation and household water supply, as well as drainage of industrial accumulated water, water supply and drainage for construction, livestock breeding, etc.

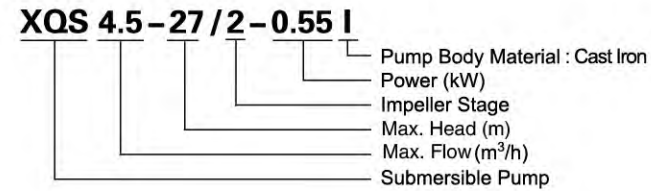
Pump

- Max. immersion depth: 5 m
- Max. liquid temperature: +40°C
- Liquid pH value: 6.5 – 8

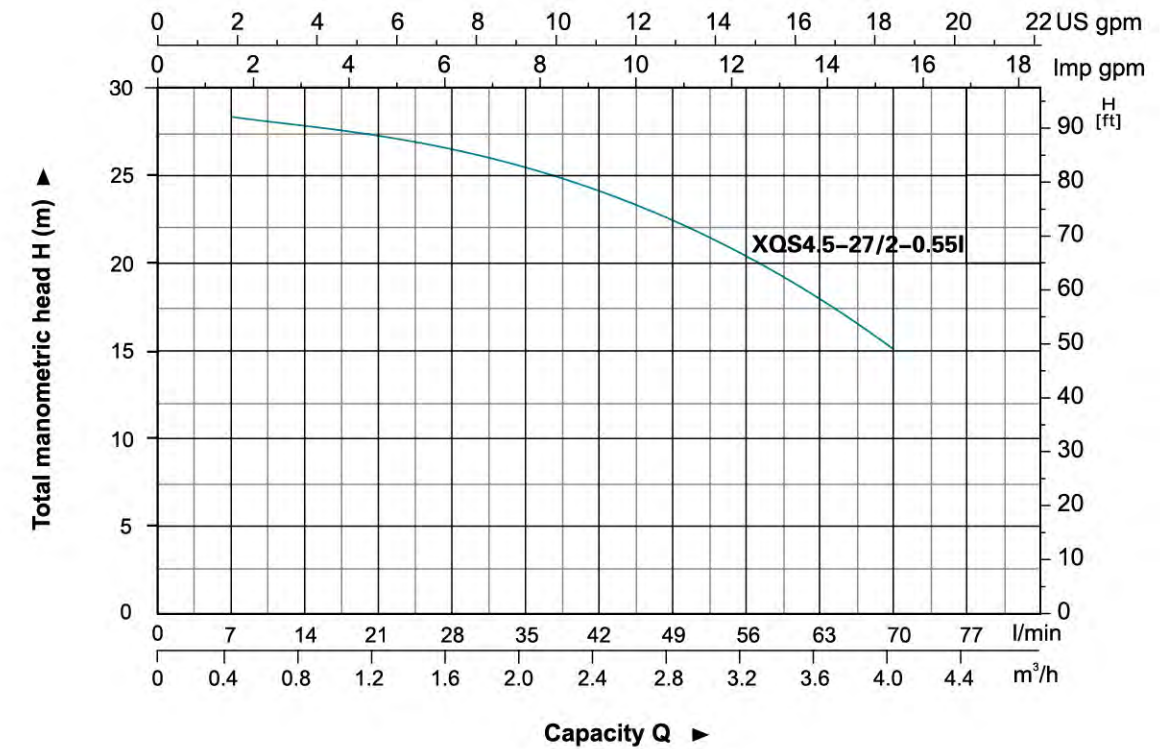
Motor

- Copper winding
- Built-in thermal protector
- Stainless steel welded shaft
- Insulation class: B
- Protection class: IP68

Identification Codes

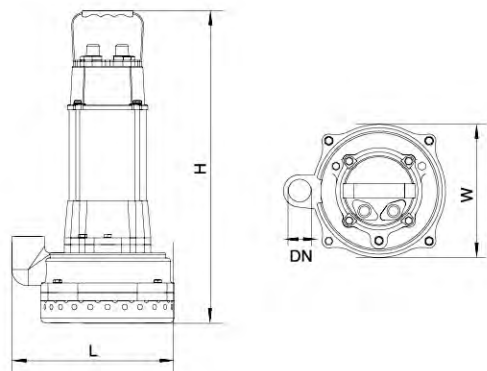


Hydraulic Performance Curves



Technical Data

Model	Power		Outlet diameter (mm)	Voltage (V/Hz)	Max. flow (l/min)	Max. head (m)	GW (kgs)	Packing size (mm)	Quantity (PCS/20 TEU)
	(kW)	HP							
XQS4.5-27/2-0.55I	0.55	0.75	25	220/50	75	27	21.8	500x270x235	980



Dimension

Model	DN	L (mm)	W (mm)	H (mm)
XQS4.5-27/2-0.55I	1"	235	198	462

Materials Table

No.	Part	Material	No.	Part	Material
1	Bolt	Stainless steel	33	Ball bearing	
2	Stretching washer	Stainless steel	34	Bolt	Stainless steel
3	Washer	Stainless steel	35	Washer	Stainless steel
4	Bolt	Stainless steel	36	Connection part	HT200
5	Washer	Stainless steel	37	Mechanical seal	Carbon/Ceramic
6	Handle	Stainless steel	38	O-ring	NBR
7	Nut	Stainless steel	39	Oil chamber cover	HT200
8	Protector	NR	40	Screw	Stainless steel
9	Cable presser	Stainless steel	41	Washer	Stainless steel
10	Washer	Stainless steel	42	O-ring	Stainless steel
11	Screw	Stainless steel	43	Screw	Stainless steel
12	Bolt	Stainless steel	44	Bolt	Stainless steel
13	O-ring	NBR	45	Washer	Stainless steel
14	Bolt	Stainless steel	46	Connector	ABS
15	Flange	Stainless steel	47	O-ring	NBR
16	Cable		48	Pump body	HT200
17	Cable protector	CR	49	Mechanical seal	Ceramic/Carbon
18	Capacitor cover	HT200	50	Impeller	PPO
19	Capacitor		51	Guideleaf cover	PPO
20	O-ring	NBR	52	Guideleaf	PPO
21	O-ring	NBR	53	Sleeve	PPO
22	Screw	CuZn40	54	O-ring	NBR
23	Stretching washer	65Mn	55	Washer	Stainless steel
24	Washer	CuZn40	56	Stretching washer	Stainless steel
25	Cable holder	NBR	57	Nut	Stainless steel
26	Motor cover	HT200	58	O-ring	NBR
27	Thermal protector		59	Pump cover	HT200
28	Stator		60	Nut	
29	O-ring	NBR	61	Bilateral bolt	Stainless steel
30	Wave washer	65Mn	62	Filter mesh	Stainless steel
31	Ball bearing		63	Float switch	
32	Rotor				

